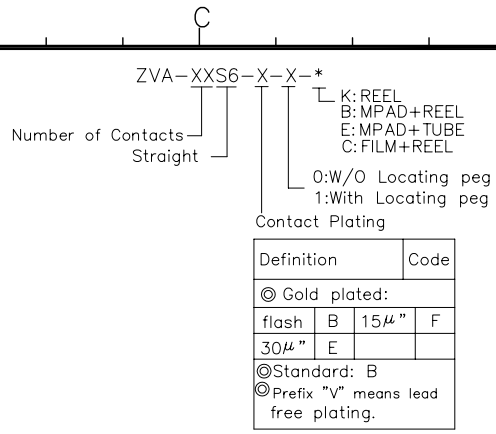
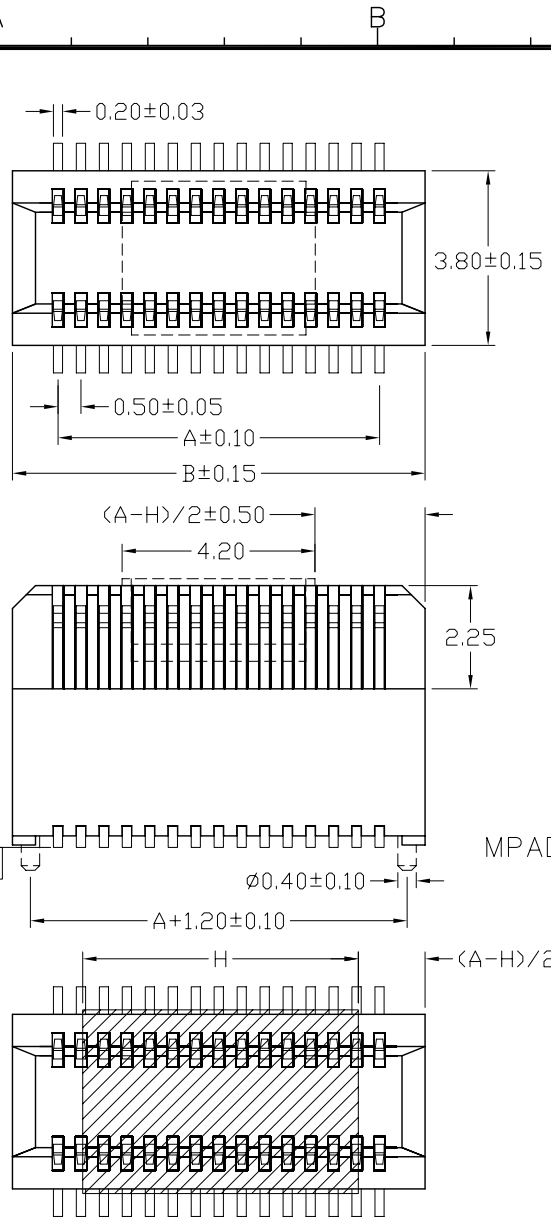


CIRCUITS	DIM A	DIM B	W/O PEG WITH PEG
10	2.00	3.98	
12	2.50	4.48	
14	3.00	4.98	
16	3.50	5.48	⊕
18	4.00	5.98	
20	4.50	6.48	⊕
22	5.00	6.98	
24	5.50	7.48	
26	6.00	7.98	
28	6.50	8.48	
30	7.00	8.98	⊕
32	7.50	9.48	⊕
34	8.00	9.98	⊕
36	8.50	10.48	
38	9.00	10.98	
40	9.50	11.48	
42	10.00	11.98	
44	10.50	12.48	
46	11.00	12.98	
48	11.50	13.48	
50	12.00	13.98	⊕
52	12.50	14.48	
54	13.00	14.98	
56	13.50	15.48	
58	14.00	15.98	
60	14.50	16.48	⊕
62	15.00	16.98	⊕
64	15.50	17.48	
66	16.00	17.98	
68	16.50	18.48	
70	17.00	18.98	⊕
72	17.50	19.48	
74	18.00	19.98	
76	18.50	20.48	
78	19.00	20.98	
80	19.50	21.48	
82	20.00	21.98	
84	20.50	22.48	
86	21.00	22.98	
88	21.50	23.48	⊕
90	22.00	23.98	
92	22.50	24.48	
94	23.00	24.98	
96	23.50	25.48	
98	24.00	25.98	
100	24.50	26.48	
102	25.00	26.98	
104	25.50	27.48	
106	26.00	27.98	
108	26.50	28.48	
110	27.00	28.98	
112	27.50	29.48	
116	28.00	29.98	
118	28.50	30.48	
120	29.00	30.98	

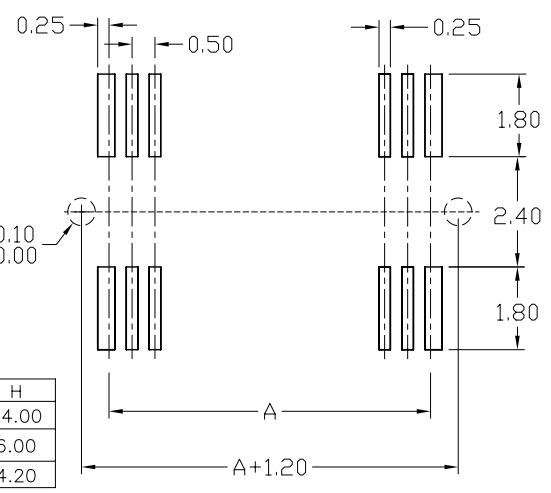
Diagram	Molding description
○	mass production & assemble mold
⊙	sample & assemble mold
⊕	mass production & fix mold
⊗	sample & fix mold



SPECIFICATIONS

Current Rating: 0.3 Amps
 Insulator resistance: 100 Megohms min.
 Contacts resistance: 60 m ohms max.
 Dielectric withstanding: AC 500V
 Operating Temperature: -40°~+85°C
 Contact Material: Phosphor Bronze
 Insulator Material: High Temperature Thermoplastic, UL 94V-0
 Color: Natural
 Finish: Gold plated
 ◎Standard: Gold flash all over

Recommended PCB Layout
 (PCB TOLERANCE ±0.05)



	H
FILM(20PIN以下)	ø4.00
FILM(含20PIN以上)	6.00
MPAD	4.20

Rev.	ECN Number	Description	Drawn	Date
7	EC3-550051 EC3-550008	新增 32PIN 有導量產模 30PIN 有導量產模	陳顯鑫	07/19 05'
8	EC3-590007	新增 34PIN 有導	陳美竹	09/14 05'
9	ECR-590068	新增 60PIN 有導 取消 50PIN 有導	陳顯鑫	09/27 05'

PLASTRON
 Plastron Precision Co., Ltd.
 樟翔精密股份有限公司

GENERAL TOLERANCE XX. ± 0.50 X. ± 0.30 .X ± 0.25 .XX ± 0.20	SCALE 1=1 UNIT MM SIZE A4/6	ORIGINAL DRAWN 林秋蘭 CHECK 林錫錦 APPROVE 林錫錦	DATE 03/10/16 DATE 09/27 05' DATE 09/27 05'	DWG. NO. X-XX F: \DWG\CDWG\ZVA\ZVA0H.DWG PARTS NO. ZVA-XXS6-X-X-*	TITLE 0.50mm Board To Board Plug Type (成品規格圖)	REV. 9 SHEET 1/1
---	-----------------------------------	--	---	---	---	---------------------