

CIRCUITS	DIM A	DIM B	DIM C	REMARK	
				有導	無導
10	2.00	8.00	3.98		
12	2.50	8.50	4.48	⊕	
14	3.00	9.00	4.98		
16	3.50	9.50	5.48		
18	4.00	10.00	5.98		
20	4.50	10.50	6.48	⊕	
22	5.00	11.00	6.98		
24	5.50	11.50	7.48		
26	6.00	12.00	7.98	⊕	
28	6.50	12.50	8.48		
30	7.00	13.00	8.98	⊕	⊗
32	7.50	13.50	9.48		
34	8.00	14.00	9.98		
36	8.50	14.50	10.48	⊕	
38	9.00	15.00	10.98		
40	9.50	15.50	11.48	⊕	
42	10.00	16.00	11.98		
44	10.50	16.50	12.48	⊕	
46	11.00	17.00	12.98		
48	11.50	17.50	13.48		
50	12.00	18.00	13.98	⊕	
52	12.50	18.50	14.48		
54	13.00	19.00	14.98		
56	13.50	19.50	15.48		
58	14.00	20.00	15.98		
60	14.50	20.50	16.48	⊕	
62	15.00	21.00	16.98		
64	15.50	21.50	17.48		
66	16.00	22.00	17.98		
68	16.50	22.50	18.48		
70	17.00	23.00	18.98	⊕	
72	17.50	23.50	19.48		
74	18.00	24.00	19.98		
76	18.50	24.50	20.48		
78	19.00	25.00	20.98		
80	19.50	25.50	21.48	⊕	
82	20.00	26.00	21.98		
84	20.50	26.50	22.48		
86	21.00	27.00	22.98		
88	21.50	27.50	23.48		
90	22.00	28.00	23.98		
92	22.50	28.50	24.48		
94	23.00	29.00	24.98		
96	23.50	29.50	25.48		
98	24.00	30.00	25.98		
100	24.50	30.50	26.48		
120	29.50	35.50	31.48	⊕	

ZVA-XXS3-X-X-\* K: REEL(W/O MPAD)  
 B: MPAD+REEL  
 E: MPAD+TUBE  
 F: FILM+TUBE  
 C: FILM+REEL  
 0: W/O Locating peg  
 1: With Locating peg  
 Contact Plating

**SPECIFICATIONS**  
 Current Rating: 0.3 Amps  
 Insulator resistance: 100 Megohms min.  
 Contacts resistance: 60 m ohms max.  
 Dielectric withstanding: AC 500V  
 Operating Temperature: -40~+85°C  
 Contact Material: Phosphor Bronze  
 Insulator Material: High Temperature Thermoplastic, UL 94V-0 Natural  
 Color :  
 Finish: Gold plated  
 ◎Standard: Gold flash all over

Definition	Code
◎ Gold plated:	
flash B 15μ" F	
30μ" E	
◎Standard: B	
◎Prefix "V" means lead free plating	

Recommended PCB Layout  
 (PCB TOLERANCE ±0.05)

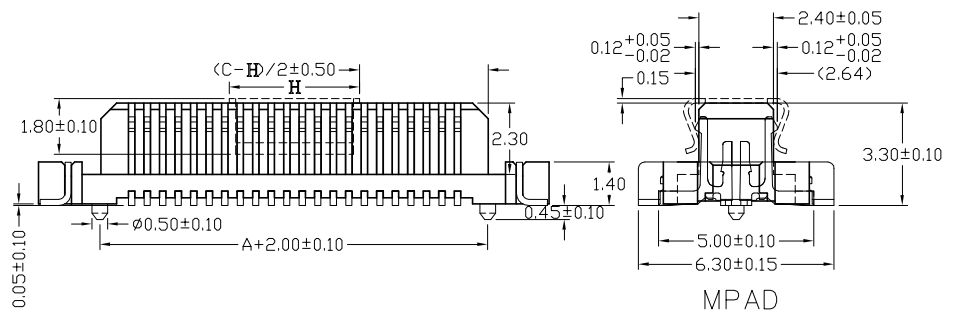
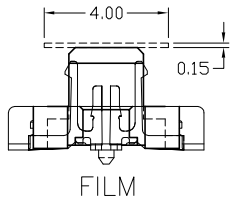
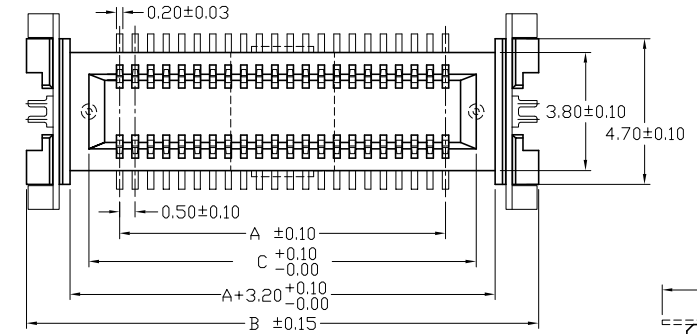
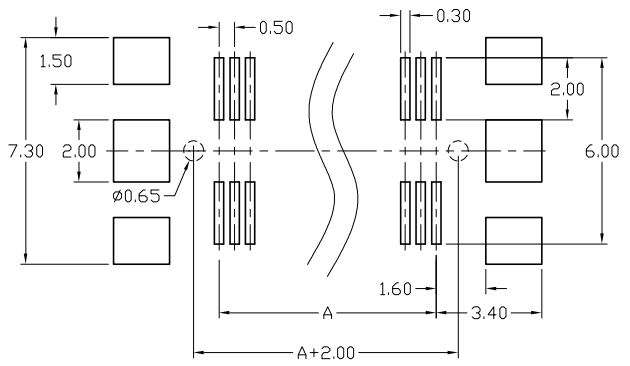


Diagram	Molding description
○	mass production & assemble mold
◎	sample & assemble mold
⊕	mass production & fix mold
⊗	sample & fix mold

	H
KT011	6.00
MPAD0014	4.20

Rev.	ECN Number	Description	Drawn	Date
9	EC2-480227	新增膠膜選項	陳美竹	08/12/04'
10	EC2-490032	圖面修正	陳美竹	09/06 04'
11	EC3-4B0087	新增 30PIN 無導	洪銀雯	11/17 04'



GENERAL TOLERANCE	
XX. ± 0.50	XXX. ±
X. ± 0.30	.XXX ±
.X ± 0.25	.X* ± 4*
.XX ± 0.20	.X* ± 4*

SCALE	1=1
UNIT	MM
SIZE	A4/5

ORIGINAL DRAWN 林秋蘭  
 CHECK 江坤容  
 APPROVE 林錫錦

DATE 02'/12/19  
 DATE 11/17 04'  
 DATE 11/17 04'

DWG. NO. X-XX  
 F:\DWG\CDWG\ZVA\ZVA0D.DWG  
 PARTS NO. ZVA-XXS3-X-X-\*

TITLE 0.50mm Board To Board Plug Type (成品規格圖)

REV. 11  
 SHEET 1/1