

No. of Contacts	DIMENSIONS	
	A	B
2	2.54	5.08
3	5.08	7.62
4	7.62	10.16
5	10.16	12.70
6	12.70	15.24
7	15.24	17.78
8	17.78	20.32
9	20.32	22.86
10	22.86	25.40
11	25.40	27.94
12	27.94	30.48
13	30.48	33.02
14	33.02	35.56
15	35.56	38.10
16	38.10	40.64
17	40.64	43.18
18	43.18	45.72
19	45.72	48.26
20	48.26	50.80
21	50.80	53.34
22	53.34	55.88
23	55.88	58.42
24	58.42	60.96
25	60.96	63.50
26	63.50	66.04
27	66.04	68.58
28	68.58	71.12
29	71.12	73.66
30	73.66	76.20
31	76.20	78.74
32	78.74	81.28
33	81.28	83.82
34	83.82	86.36
35	86.36	88.90
36	88.90	91.44
37	91.44	93.98
38	93.98	96.52
39	96.52	99.06
40	99.06	101.60

XHY-XXDX-X-C/D-\*

Pin type  
 Brass  
 Brass (Reel)  
 Phosphor Bronze  
 ©Standard: L

Number of Contacts  
 L  
 B  
 P

NULL: Thermoplastic(P.B.T)  
 F: High Temperature  
 Thermoplastic(Nylon-6T)

Definition	Code
◎ Tin plated:	A
◎ Gold plated:	
flash B	15μ" F
3 μ" C	20μ" G
5 μ" D	25μ" H
10μ" E	30μ" J
◎Duplex plating:	
flash K	15μ" P
3 μ" L	20μ" Q
5 μ" M	25μ" T
10μ" N	30μ" U
◎Standard: B	
◎Prefix "V" means lead free plating.	

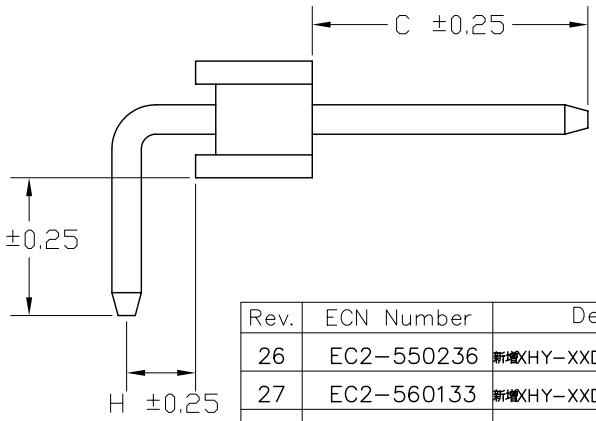
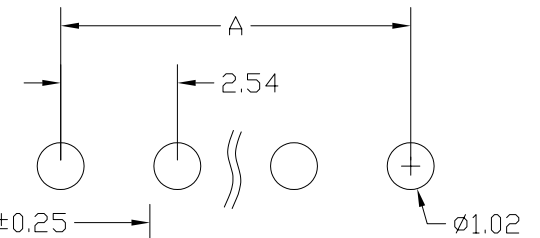
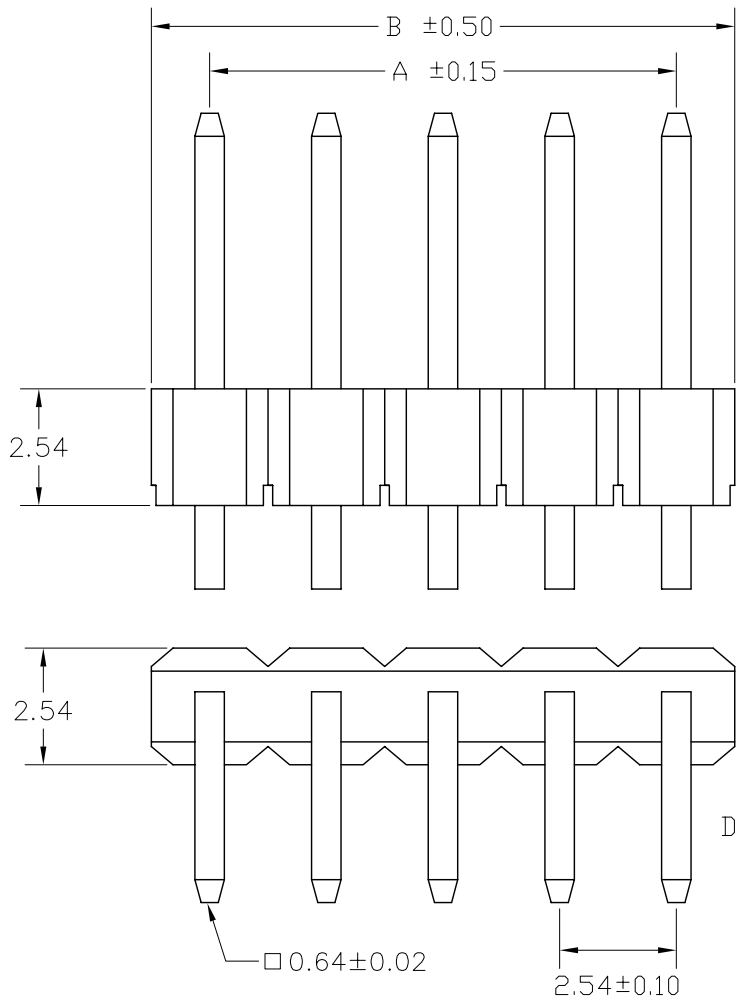
**SPECIFICATIONS**

Current Rating: 3 Amps  
 Insulator resistance: 5000 Megohms Min.  
 Dielectric withstanding: AC 500 V  
 Operating Temperature: -40°~+105°C  
 Contact Material: Copper alloy  
 Insulator Material: Thermoplastic,UL 94V-0  
 Color : Black

Finish: Tin,Gold or Duplex plated  
 ◎Standard: Gold flash all over  
 ◎Note:  
 Duplex plating: gold plated on contact area,  
 Tin on solder area

◎For illustration purpose the  
 XHY-XXDX-X-060/030 was shown  
 Recommended PCB Layout  
 (PCB TOLERANCE ±0.05)

H	
D1	1.50
D2	2.00
D3	0.32



Rev.	ECN Number	Description	Drawn	Date
26	EC2-550236	新增XHY-XXDX-X-120/030-*	陳美竹	05/25 05'
27	EC2-560133	新增XHY-XXDX-X-118/030-*	陳美竹	06/24 05'
28	EC2-580040	新增XHY-XXDX-X-115/095-*	陳顯鑫	08/09 05'



GENERAL TOLERANCE	
XX. ± 0.50	XXX. ±
X. ± 0.30	.XXX ±
.X ± 0.25	X.° ± 4'
.XX ± 0.20	.X° ± 4'

SCALE 1=1  
 UNIT MM  
 SIZE A4/6

ORIGINAL DRAWN 蔡超文  
 CHECK 林錫錦  
 APPROVE 林錫錦

DATE 03'/10/02  
 DATE  
 DATE

DWG. NO. 3-40  
 F:\DWG\CDWG\HY\HYR8U.DWG  
 PARTS NO.  
 XHY-XXDX-X-C/D-\*

TITLE 2.54mm HEADER  
 (成品規格圖)

REV. 28  
 SHEET 1/2