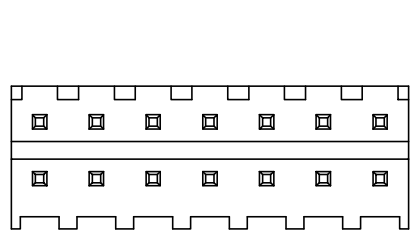


No. of Contacts	DIMENSIONS		REMARK (備註)
	A	B	
8	7.62	10.16	○
10	10.16	12.70	○
12	12.70	15.24	○
14	15.24	17.78	○
16	17.78	20.32	○
18	20.32	22.86	○
20	22.86	25.40	○
22	25.40	27.94	○
24	27.94	30.48	○
26	30.48	33.02	○
28	33.02	35.56	○
30	35.56	38.10	○
32	38.10	40.64	○
34	40.64	43.18	○
36	43.18	45.72	○
38	45.72	48.26	○
40	48.26	50.80	○
42	50.80	53.34	○
44	53.34	55.88	○
46	55.88	58.42	○
48	58.42	60.96	○
50	60.96	63.50	○
52	63.50	66.04	○
54	66.04	68.58	○
56	68.58	71.12	○
58	71.12	73.66	○
60	73.66	76.20	○



XHT-XXS-X-C/D

Pin type  
 Brass  
 Brass(Reel)  
 Phosphor Bronze  
 ◎Standard: L

LBP

Pin Length mm

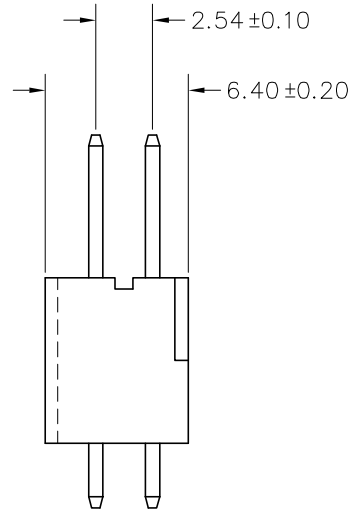
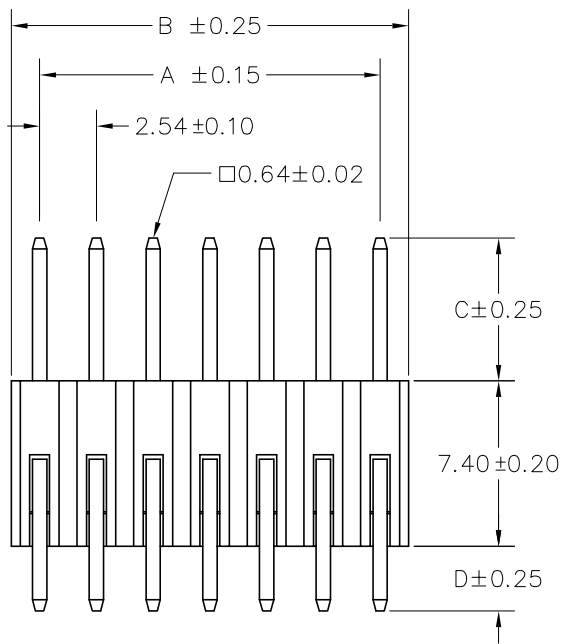
Contact Plating

**SPECIFICATIONS**

Current Rating: 3 Amps  
 Insulator resistance: 5000 Megohms min.  
 Dielectric withstanding: AC 500 V  
 Operating Temperature: -40°~+105°C  
 Contact Material: Copper alloy  
 Insulator Material: Thermoplastic,UL 94V-0(PBT)  
 Color : Black

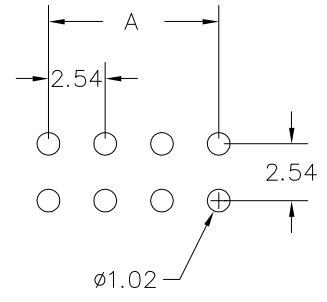
Finish: Tin,Gold plated  
 ◎Standard: Gold flash all over

Definition	Code
◎ Tin plated:	A
◎ Gold plated:	
flash	B 15μ" F
	10μ" E 30μ" J
◎Standard:	B
◎Prefix "V" means lead free plating.	



◎For illustration purpose the XHT-XXS-X-064/029 was shown

Recommended PCB Layout  
 (PCB TOLERANCE ±0.05)

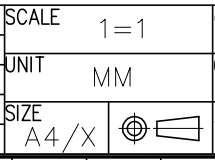


PARTS NO.	C	D	REMARK (備註)
XHT-XXS-X-064/029	6.40	2.90	○
XHT-XXS-X-060/030	6.00	3.00	○
XHT-XXS-X-070/038	7.00	3.80	○
XHT-XXS-X-070/036	7.00	3.60	○
XHT-XXS-X-055/036	5.50	3.60	○
XHT-XXS-X-045/036	4.50	3.60	○
XHT-XXS-X-060/036	6.00	3.60	○
XHT-XXS-X-062/036	6.20	3.60	○
XHT-XXS-X-040/028	4.00	2.80	○
XHT-XXS-X-100/036	10.00	3.60	○

Diagram	Molding description	Rev.	ECN Number	Description	Drawn	Date
○	mass production & assemble mold	2	EC2-510103	變更料號 XHT-XXS-X-064/029 XHT-XXS-X-C/D	陳美竹	01/12 05'
◎	sample & assemble mold					
⊕	mass production & fix mold					
⊕	sample & fix mold					



GENERAL TOLERANCE		SCALE	ORIGINAL DRAWN
XX. ± 0.50	XXX. ±	1=1	王婉云
X. ± 0.30	.XXX ±	UNIT	江坤容
.X ± 0.25	.X* ± 4*	SIZE	林錫錦
.XX ± 0.20	.X* ± 4*	A4/X	



DATE 08/25 05'  
 DATE 01/12 05'  
 DATE 01/12 05'

CHECK  
 APPROVE

DWG. NO. X-XX  
 F:\DWG\CDWG\HT\HT0B.DWG  
 PARTS NO.   
 XHT-XXS-X-C/D

TITLE  
 2.54mm  
 HEADER  
 (成品規格圖)

REV. 2  
 SHEET 1/1