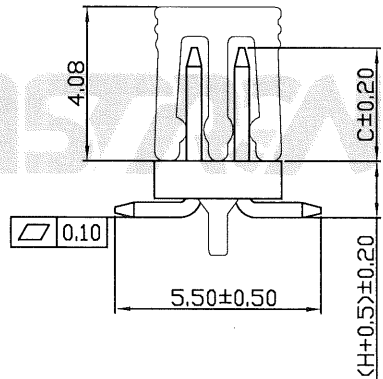
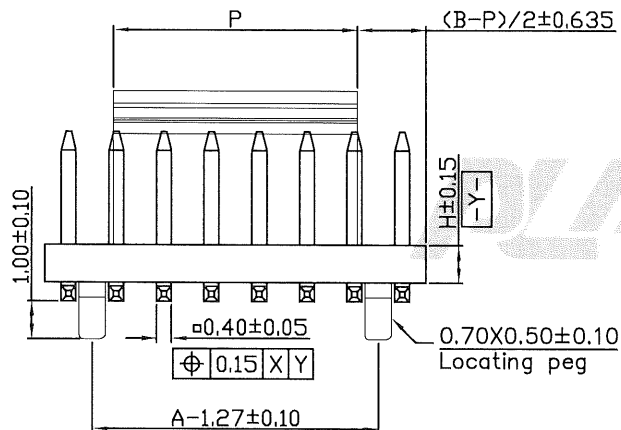
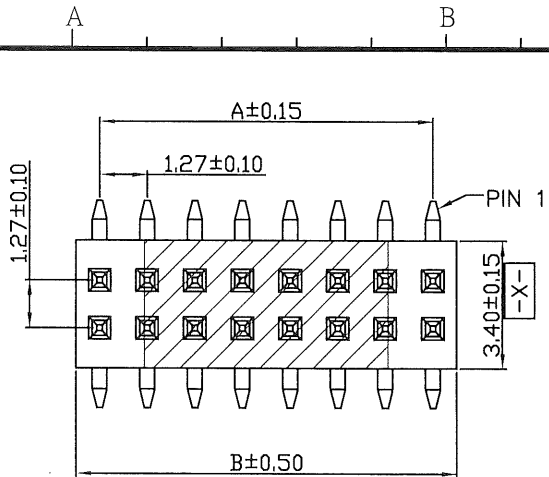


No. of Contacts	DIMENSIONS		REMARK (備註)
	A	B	
06	2.54	3.81	○
08	3.81	5.08	○
10	5.08	6.35	○
12	6.35	7.62	○
14	7.62	8.89	○
16	8.89	10.16	○
18	10.16	11.43	○
20	11.43	12.70	○
22	12.70	13.97	○
24	13.97	15.24	○
26	15.24	16.51	○
28	16.51	17.78	○
30	17.78	19.05	○
32	19.05	20.32	○
34	20.32	21.59	○
36	21.59	22.86	○
38	22.86	24.13	○
40	24.13	25.40	○
42	25.40	26.67	○
44	26.67	27.94	○
46	27.94	29.21	○
48	29.21	30.48	○
50	30.48	31.75	○
52	31.75	33.02	○
54	33.02	34.29	○
56	34.29	35.56	○
58	35.56	36.83	○
60	36.83	38.10	○
62	38.10	39.37	○
64	39.37	40.64	○
66	40.64	41.91	○
68	41.91	43.18	○
70	43.18	44.45	○
72	44.45	45.72	○
74	45.72	46.99	○
76	46.99	48.26	○
78	48.26	49.53	○
80	49.53	50.80	○
82	50.80	52.07	○
84	52.07	53.34	○
86	53.34	54.61	○
88	54.61	55.88	○
90	55.88	57.15	○
92	57.15	58.42	○
94	58.42	59.69	○
96	59.69	60.96	○
98	60.96	62.23	○
100	62.23	63.50	○



S1-X TYPE

包装规格	PAD	P
8PIN以下(包含)	PAD0030	3.80
10PIN以下(包含)	PAD0012	6.50
规格说明		
20PIN以下	PAD0012	6.50
20PIN以上(包含)	PAD0003	6.50
料号:06S2/3-X-C-X-(X)-R	PAD0003	
料号:08S1-X-C-X-(X)-R	PAD0030	
料号:24S3-VB-030-1-R	PAD0012	
料号:32S2-VB-030-1-R	PAD0012	

PARTS NO.	C	REMARK
SPNZ-10SX-X-020-X-X	2.00	common customer
SPNZ-10S1-VB-020-1-R	2.50	群光專用

Diagram	Molding description
○	mass production & assemble mold
⊙	sample & assemble mold
⊕	mass production & fix mold
⊗	sample & fix mold

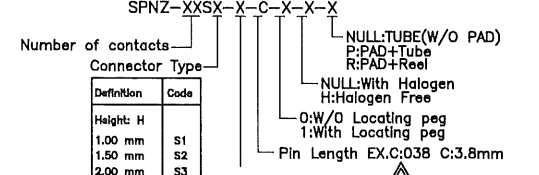


TOLERANCE TABLE	
X ± 0.30	X° ± 3°
.X ± 0.25	.X° ± 2°
.XX ± 0.20	

SCALE	DRAWN	CHECK	APPROVE
5:1	苏琴	白国台	苏琴
UNIT mm	DATE 2021/04/26	DATE 2021/04/26	DATE 2021/04/26
SIZE A4			

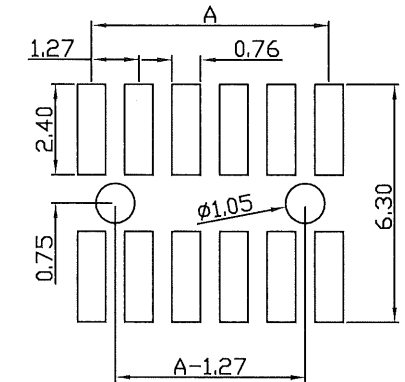
版次	ECN 编码	描述		设计/日期
14	EL21040089	改前	改后	苏琴_2021/04/26
			Increase heat resistance	

NOTES: (UNLESS OTHERWISE SPECIFIED)
 1. DIMENSION SHALL BE INTERPRETED PER ANSI Y14.5M-1994
 2. CONTACT RETENTION FORCE: 250g MIN. PER CONTACT.
 3. CURRENT RATING: 1 AMPS.
 4. DIELECTRIC WITHSTANDING VOLTAGE: 500V AC rms./MINUTE.
 5. DURABILITY: 50 CYCLES MIN..
 6. CONTACT RESISTANCE: 20 m ohms MAX. FOR INITIAL
 7. INSULATION RESISTANCE: 5000 Megohms MIN..
 8. OPERATING TEMPERATURE: -40°C~+105°C.
 9. HARMFUL MATERIAL SHOULD BE COMPLIANT TO DOC. "EI-0005" STANDARDS.
 10. MATERIAL:
 △ HOUSING: HIGH TEMPERATURE THERMOPLASTIC, 260C FOR 10 SECONDS, COLOR BLACK, UL 94V-0.
 CONTACT: COPPER ALLOY
 11. PRODUCT NUMBER MATRIX:



Definition	Code
Height: H	
1.00 mm	S1
1.50 mm	S2
2.00 mm	S3

Definition	Code
● Tin plated:	A
● Gold plated:	
flash B 15μ"	F
10μ"	E
30μ"	J
● Duplex plating:	
flash K 15μ"	P
10μ"	N
30μ"	U
● Standard:	B
All plating is lead free	



Recommended PCB Layout
(PCB TOLERANCE ±0.05)

TITLE	REV.
CUSTOMER DRAWING	14
PARTS NO. (INTENDED USE)	SHEET
SPNZ-XXSX-X-C-X-X-X	1/3