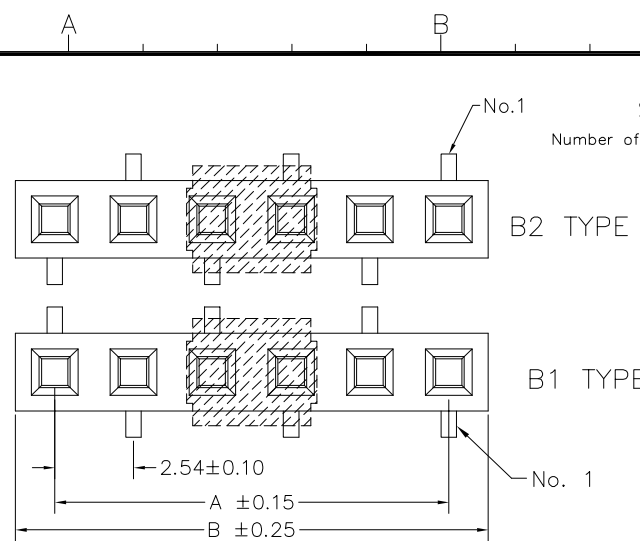


No. of Contacts	DIMENSIONS		REMARK (備註)
	A	B	
2	2.54	5.24	○
3	5.08	7.78	○
4	7.62	10.32	○
5	10.16	12.86	○
6	12.70	15.40	○
7	15.24	17.94	○
8	17.78	20.48	○
9	20.32	23.02	○
10	22.86	25.56	○
11	25.40	28.10	○
12	27.94	30.64	○
13	30.48	33.18	○
14	33.02	35.72	○
15	35.56	38.26	○
16	38.10	40.80	○
17	40.64	43.34	○
18	43.18	45.88	○
19	45.72	48.42	○
20	48.26	50.96	○
21	50.80	53.50	○
22	53.34	56.04	○
23	55.88	58.58	○
24	58.42	61.12	○
25	60.96	63.66	○
26	63.50	66.20	○
27	66.04	68.74	○
28	68.58	71.28	○
29	71.12	73.82	○
30	73.66	76.36	○
31	76.20	78.90	○
32	78.74	81.44	○
33	81.28	83.98	○
34	83.82	86.52	○
35	86.36	89.06	○
36	88.90	91.60	○
37	91.44	94.14	○
38	93.98	96.68	○
39	96.52	99.22	○
40	99.06	101.76	○



SPGFY-XXBX-X-*

Number of Contacts: [] Contact Plating: []

Definition	Code
◎ Tin plated:	A
◎ Gold plated:	
flash B	15μ" F
10μ" E	30μ" J
◎ Duplex plating:	
flash K	15μ" P
10μ" N	30μ" U

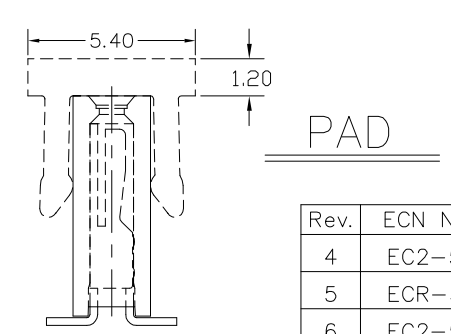
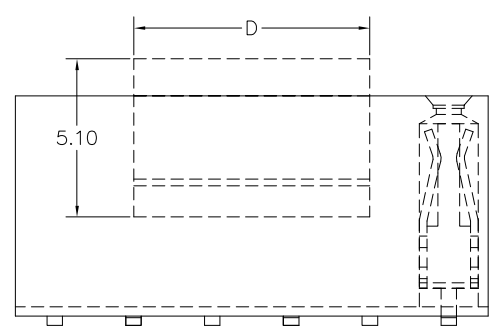
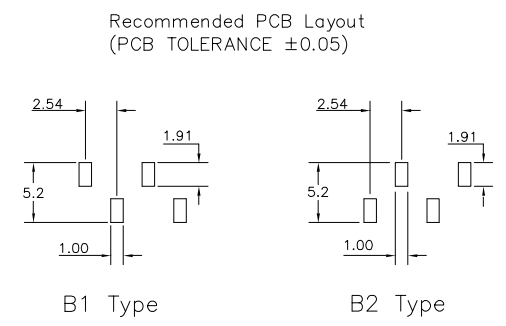
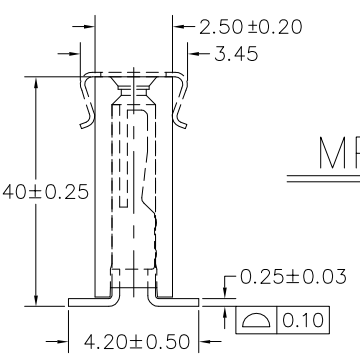
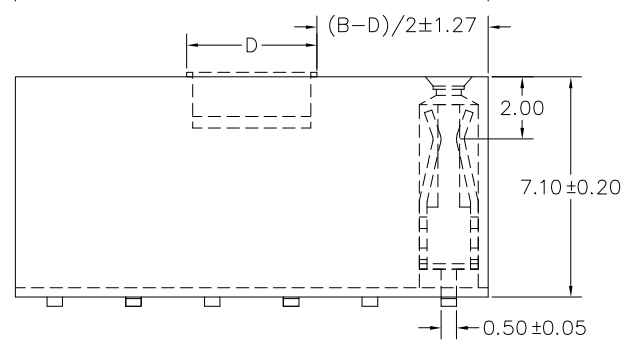
◎Standard: B
◎Prefix "V" means lead free plating.

NULL: TRAY(W/O MPAD,PAD)
B: MPAD+REEL
E: MPAD+TUBE
P: PAD+TUBE
R: PAD+REEL
K: REEL(W/O MPAD,PAD)
G: TUBE

SPECIFICATIONS

Current Rating: 3 Amps
Insulator resistance: 5000 Megohms min.
Contact resistance: 20 m ohms max.
Dielectric withstanding: AC 1000 V
Operating Temperature: -40°~+105°C
Contact Material: Phosphor bronze
Insulator Material: High Temperature Thermoplastic, UL 94V-0(Nylon-6T)
Color: Black

Finish: Tin, Gold plated
◎Standard: Gold flash all over
◎Note: Duplex plating: gold plated on contact area, Tin on solder area



MPAD	D=4.20
PAD	D=7.60

Diagram	Molding description
○	mass production & assemble mold
◎	sample & assemble mold
⊕	mass production & fix mold
⊕	sample & fix mold

Rev.	ECN Number	Description	Drawn	Date
4	EC2-520097	新增 PAD	洪銀雯	02/24 05'
5	ECR-560028	修正DIM A,B尺寸	陳顯鑫	06/07 05'
6	EC2-560288	修正規格說明	詹益東	07/04 05'

PLASTRON
Plastron Precision Co., Ltd.
樟翔精密股份有限公司

GENERAL TOLERANCE	SCALE 5=1	ORIGINAL DRAWN 林秋蘭	DATE 22/03/01'	DWG. NO. X-XX	TITLE 2.54mm SMD SOCKET (成品規格圖)	REV. 6
XX. ± 0.50	UNIT MM	CHECK 林錫錦	DATE 07/05 05'	F: \DWG\CDWG\PGF\PGFYMOB.DWG		SHEET 1/1
X. ± 0.30	SIZE A4	APPROVE 林錫錦	DATE 07/05 05'	PARTS NO. SPGFY-XXBX-X-*		
.X ± 0.25						
.XX ± 0.20						