

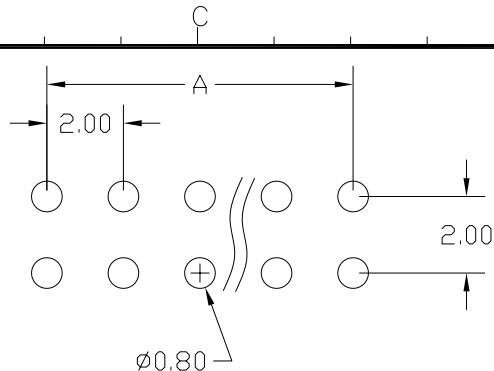
No. of Contacts	DIMENSIONS		REMARK (備註)
	A	B	
4	2.00	4.50	○
6	4.00	6.50	○
8	6.00	8.50	○
10	8.00	10.50	○
12	10.00	12.50	○
14	12.00	14.50	○
16	14.00	16.50	○
18	16.00	18.50	○
20	18.00	20.50	○
22	20.00	22.50	○
24	22.00	24.50	○
26	24.00	26.50	○
28	26.00	28.50	○
30	28.00	30.50	○
32	30.00	32.50	○
34	32.00	34.50	○
36	34.00	36.50	○
38	36.00	38.50	○
40	38.00	40.50	○
42	40.00	42.50	○
44	42.00	44.50	○
46	44.00	46.50	○
48	46.00	48.50	○
50	48.00	50.50	○
52	50.00	52.50	○
54	52.00	54.50	○
56	54.00	56.50	○
58	56.00	58.50	○
60	58.00	60.50	○
62	60.00	62.50	○
64	62.00	64.50	○
66	64.00	66.50	○
68	66.00	68.50	○
70	68.00	70.50	○
72	70.00	72.50	○
74	72.00	74.50	○
76	74.00	76.50	○
78	76.00	78.50	○
80	78.00	80.50	○

PTRZ-XXR1-X-030

Number of Contacts

Contact Plating

Definition	Code
◎ Tin plated :	A
◎ Gold plated:	
0.9μm 0.02 μm(Min)	B 15μm 0.375 μm(Min)
1.5μm 0.025 μm(Min)	F
10μm 0.25 μm(Min)	E 30μm 0.75 μm(Min)
J	
◎ Duplex plating:	
0.9μm 0.02 μm(Min)	K 15μm 0.375 μm(Min)
1.5μm 0.025 μm(Min)	P
10μm 0.25 μm(Min)	N 30μm 0.75 μm(Min)
U	
◎ Standard: B	
◎ Prefix "V" means lead free plating	

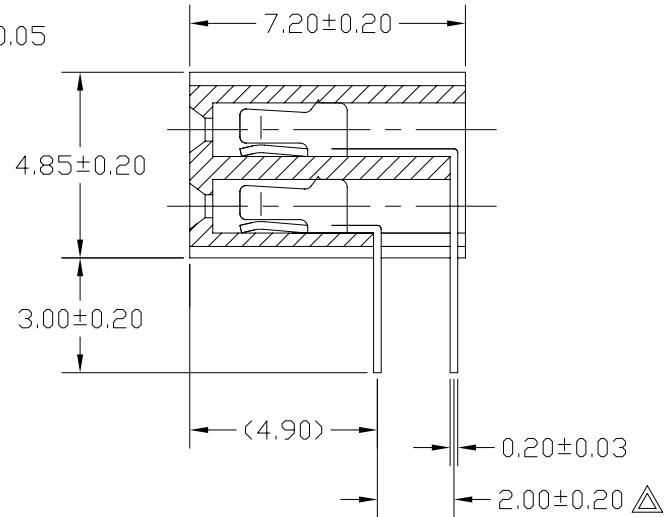
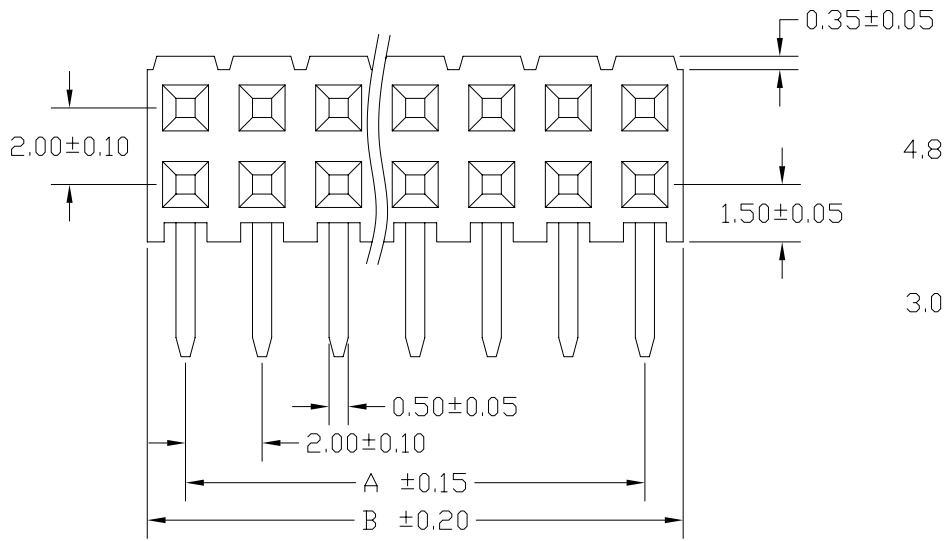


Recommended PCB Layout (PCB TOLERANCE ±0.05)

SPECIFICATIONS

- Current Rating: 1 Amp
- Insulator resistance: 5000 Megohms min.
- Contact resistance: 20 m ohms max.
- Dielectric withstanding: AC 500 V
- Operating Temperature: -40°~+105°C
- Contact Material: Phosphor Bronze
- Insulator Material: High Temperature Thermoplastic,UL 94V-0

Finish: Tin,Gold or Duplex plated  
 ◎ Standard: Gold flash all over  
 ◎ Note: Duplex plating: gold plated on contact area, Tin on solder area



Rev.	ECN Number	Description	Drawn	Date
4	ECR-520018	更改4.90公差	陳顯鑫	02/14 05'
5	EC2-580229	修改規格說明	詹益東	08/31 05'
6	ECR-5C0002	尺寸2.00±0.10==>2.00±0.20	詹益東	12/02 05'



GENERAL TOLERANCE	
XX. ± 0.50	XXX. ±
X. ± 0.30	.XXX ±
.X ± 0.25	X.° ± 4°
.XX ± 0.20	.X° ± 4°

SCALE	5=1
UNIT	MM
SIZE	A4

ORIGINAL DRAWN	林秋蘭	DATE	12-12-02'
CHECK	林錫錦	DATE	12/02 05'
APPROVE	林錫錦	DATE	12/02 05'

DWG. NO.	X-XX
PARTS NO.	PTRZ-XXR1-X-030

TITLE	2.00X2.00mm SOCKET,PIGHT ANGLE (成品規格圖)
-------	--

REV.	6
SHEET	1/1