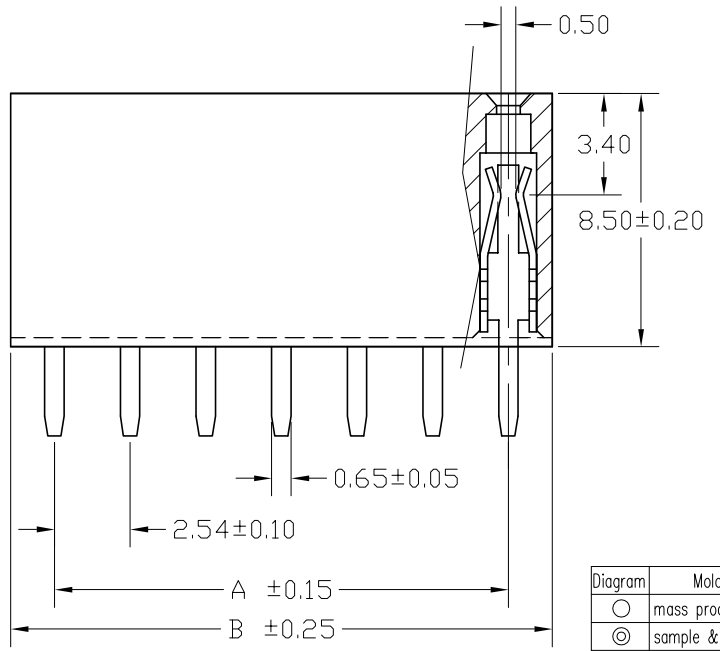
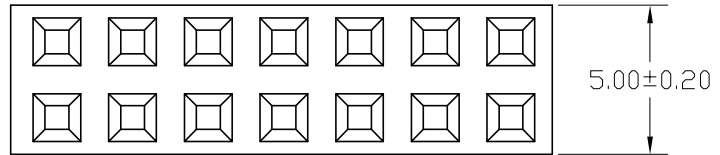


| No. of Contacts | DIMENSIONS | | REMARK (備註) |
|-----------------|------------|--------|----------------|
| | A | B | |
| 4 | 2.54 | 5.48 | ○ |
| 6 | 5.08 | 8.02 | ○ |
| 8 | 7.62 | 10.56 | ○ |
| 10 | 10.16 | 13.10 | ○ |
| 12 | 12.70 | 15.64 | ○ |
| 14 | 15.24 | 18.18 | ○ |
| 16 | 17.78 | 20.72 | ○ |
| 18 | 20.32 | 23.26 | ○ |
| 20 | 22.86 | 25.80 | ○ |
| 22 | 25.40 | 28.34 | ○ |
| 24 | 27.94 | 30.88 | ○ |
| 26 | 30.48 | 33.42 | ○ |
| 28 | 33.02 | 35.96 | ○ |
| 30 | 35.56 | 38.50 | ○ |
| 32 | 38.10 | 41.04 | ○ |
| 34 | 40.64 | 43.58 | ○ |
| 36 | 43.18 | 46.12 | ○ |
| 38 | 45.72 | 48.66 | ○ |
| 40 | 48.26 | 51.20 | ○ |
| 42 | 50.80 | 53.74 | ○ |
| 44 | 53.34 | 56.28 | ○ |
| 46 | 55.88 | 58.82 | ○ |
| 48 | 58.42 | 61.36 | ○ |
| 50 | 60.96 | 63.90 | ○ |
| 52 | 63.50 | 66.44 | ○ |
| 54 | 66.04 | 68.98 | ○ |
| 56 | 68.58 | 71.52 | ○ |
| 58 | 71.12 | 74.06 | ○ |
| 60 | 73.66 | 76.60 | ○ |
| 62 | 76.20 | 79.14 | ○ |
| 64 | 78.74 | 81.68 | ○ |
| 66 | 81.28 | 84.22 | ○ |
| 68 | 83.82 | 86.76 | ○ |
| 70 | 86.36 | 89.30 | ○ |
| 72 | 88.90 | 91.84 | ○ |
| 74 | 91.44 | 94.38 | ○ |
| 76 | 93.98 | 96.92 | ○ |
| 78 | 96.52 | 99.46 | ○ |
| 80 | 99.06 | 102.00 | ○ |



PSFZ-XXS-X-030-*-*
 Number of Contacts Straight
 NULL: TRAY
 G: TUBE
 NULL: PBT
 F: Nylon-6T
 Pin Length mm

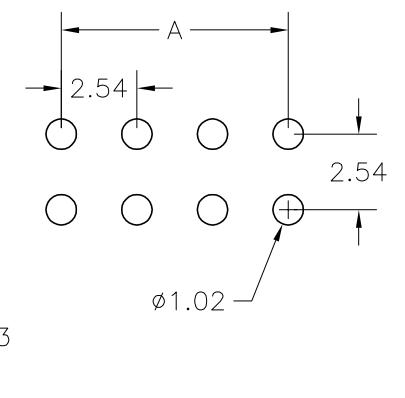
Contact Plating

| Definition | Code |
|---------------------------------------|------|
| ◎ Tin plated: | A |
| ◎ Gold plated: | |
| flash B 15μ" | F |
| 10μ" E 30μ" | J |
| ◎ Duplex plating: | |
| flash K 15μ" | P |
| 10μ" N 30μ" | U |
| ◎ Standard: B | |
| ◎ Prefix "V" means lead free plating. | |

SPECIFICATIONS

Current Rating: 3 Amps
 Insulator resistance: 5000 Megohms min.
 Contact resistance: 20 m ohms max.
 Dielectric withstanding: AC 500 V
 Operating Temperature: -40° - +105°C
 Contact Material: Phosphor bronze
 △ Insulator Material: Thermoplastic, UL 94V-0 (PBT) or High Temperature Thermoplastic, UL 94V-0 (Nylon-6T)
 Color: Black
 Finish: Tin, Gold or Duplex plated
 ◎ Standard: Gold flash all over
 ◎ Note: Duplex plating: gold plated on contact area, Tin on solder area

Recommended PCB Layout (PCB TOLERANCE ±0.05)



| Diagram | Molding description |
|---------|---------------------------------|
| ○ | mass production & assemble mold |
| ◎ | sample & assemble mold |
| ⊕ | mass production & fix mold |
| ⊕ | sample & fix mold |

| Rev. | ECN Number | Description | Drawn | Date |
|------|------------|-------------|-------|-----------|
| 4 | EC2-470393 | 新增電鍍選項 | 邱若婷 | 07/20/04' |
| 5 | EC2-4C0564 | 新增端子剖面示意圖 | 陳顯鑫 | 12/23/04' |
| 6 | EC2-520471 | 新增材質選項說明 | 洪銀雲 | 02/23 05' |



| GENERAL TOLERANCE | |
|-------------------|----------|
| XX. ± 0.50 | XXX. ± |
| X. ± 0.30 | .XXX ± |
| .X ± 0.25 | .X* ± 4' |
| .XX ± 0.20 | .X* ± 4' |

| | | |
|-----------|---------|---------|
| SCALE 4=1 | UNIT MM | SIZE A4 |
|-----------|---------|---------|

| | |
|--------------------|----------------|
| ORIGINAL DRAWN 江尚元 | DATE 28-05-02' |
| CHECK 江坤容 | DATE 02/23 05' |
| APPROVE 林錫錦 | DATE 02/23 05' |

| | |
|-----------|-----------------------------|
| DWG. NO. | F:\DWG\CDWG\PSF\PSFZS0A.DWG |
| PARTS NO. | PSFZ-XXS-X-030-*-* |

| | |
|--------------------------|-----------|
| TITLE 2.54x2.54mm SOCKET | REV. 6 |
| (成品規格圖) | SHEET 1/1 |