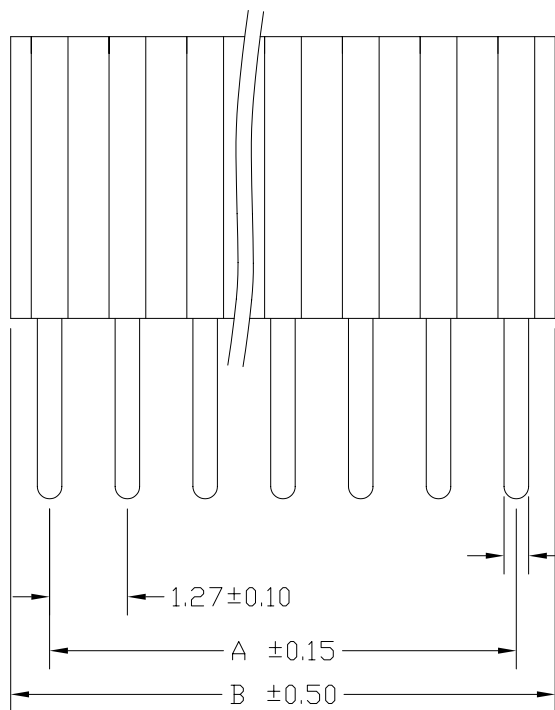
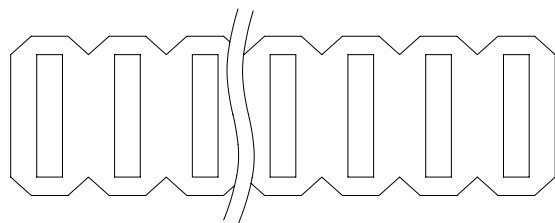


No. of Contacts	DIMENSIONS		REMARK (備註)
	A	B	
2	1.27	2.54	○
3	2.54	3.81	○
4	3.81	5.08	○
5	5.08	6.35	○
6	6.35	7.62	○
7	7.62	8.89	○
8	8.89	10.16	○
9	10.16	11.43	○
10	11.43	12.70	○
11	12.70	13.97	○
12	13.97	15.24	○
13	15.24	16.51	○
14	16.51	17.78	○
15	17.78	19.05	○
16	19.05	20.32	○
17	20.32	21.59	○
18	21.59	22.86	○
19	22.86	24.13	○
20	24.13	25.40	○
21	25.40	26.67	○
22	26.67	27.94	○
23	27.94	29.21	○
24	29.21	30.48	○
25	30.48	31.75	○
26	31.75	33.02	○
27	33.02	34.29	○
28	34.29	35.56	○
29	35.56	36.83	○
30	36.83	38.10	○
31	38.10	39.37	○
32	39.37	40.64	○
33	40.64	41.91	○
34	41.91	43.18	○
35	43.18	44.45	○
36	44.45	45.72	○
37	45.72	46.77	○
38	46.77	48.26	○
39	48.26	49.53	○
40	49.53	50.80	○



B
1.5mm
2.4mm
3.0mm

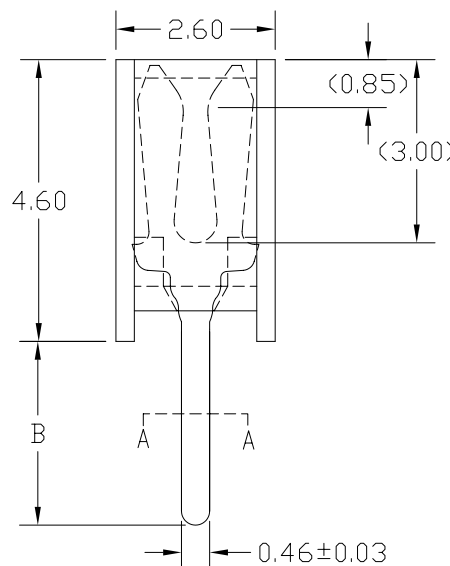
PRSY-XX-X-B
Number of Contacts — Contact Plating

Definition	Code
◎ Tin plated:	A
◎ Gold plated:	
flash B 15μ"	F
10μ" E 30μ"	J
◎Standard: B	
◎Prefix "V" means lead free plating.	

SPECIFICATIONS

Current Rating: 1 Amp
 Insulator resistance: 5000 Megohms min.
 Contact resistance: 20 m ohms max.
 Dielectric withstanding: AC 500 V
 Operating Temperature: -40~+105°C
 Contact Material: phosphor bronze
 Insulator Material: High Temperature Thermoplastic, UL 94V-0
 Color : Black

Finish: Gold plated
 ◎Standard: Gold flash all over



Recommended PCB Layout
 (PCB TOLERANCE ±0.05)

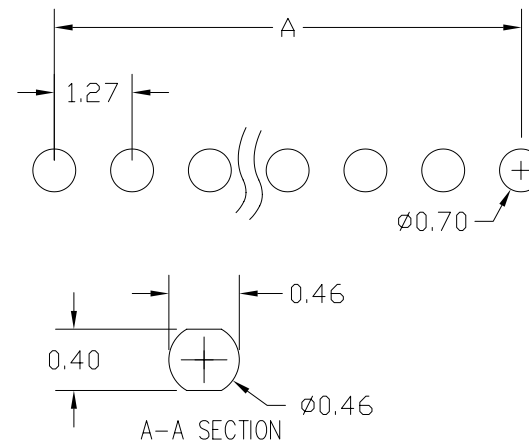


Diagram	Molding description	Rev.	ECN Number	Description	Drawn	Date
○	mass production & assemble mold	2	EC2-480032	新增電鍍碼備註	邱若婷	04/08/04'
◎	sample & assemble mold					
⊕	mass production & fix mold	3	ECR-580107	依實物修正圖面	詹益東	08/29/05'
⊕	sample & fix mold					



GENERAL TOLERANCE	SCALE 8=1	ORIGINAL DRAWN 邱若婷	DATE 05/26/03'	DWG. NO. X-XX	TITLE 1.27mm SOCKET (成品規格圖)	REV. 3
XX. ± 0.50	UNIT MM	CHECK 林錫錦	DATE 08/29/05'	F:\DWG\CDWG\PRS\PRYSOA.DWG		SHEET 1/1
X. ± 0.30	SIZE A4	APPROVE 林錫錦	DATE 08/29/05'	PARTS NO. PRSY-XX-X-B		
.X ± 0.25						
.XX ± 0.20						