

No. of Contacts	DIMENSIONS		REMARK (備註)
	A	B	
10	5.08	9.35	○
12	6.35	10.62	○
14	7.62	11.89	○
16	8.89	13.16	○
18	10.16	14.43	○
20	11.43	15.70	○
22	12.70	16.97	○
24	13.97	18.24	○
26	15.24	19.51	○
28	16.51	20.78	○
30	17.78	22.05	○
32	19.05	23.32	○
34	20.32	24.59	○
36	21.59	25.86	○
38	22.86	27.13	○
40	24.13	28.40	○
42	25.40	29.67	○
44	26.67	30.94	○
46	27.94	32.21	○
48	29.21	33.48	○
50	30.48	34.75	○
52	31.75	36.02	○
54	33.02	37.29	○
56	34.29	38.56	○
58	35.56	39.83	○
60	36.83	41.10	○
62	38.10	42.37	○
64	39.37	43.64	○
66	40.64	44.91	○
68	41.91	46.18	○
70	43.18	47.45	○
72	44.45	48.72	○
74	45.72	49.99	○
76	46.99	51.26	○
78	48.26	52.53	○
80	49.53	53.80	○
82	50.80	55.07	○
84	52.07	56.34	○
86	53.34	57.61	○
88	54.61	58.88	○
90	55.88	60.15	○
92	57.15	61.42	○
94	58.42	62.69	○
96	59.69	63.96	○
98	60.96	65.23	○
100	62.23	66.50	○

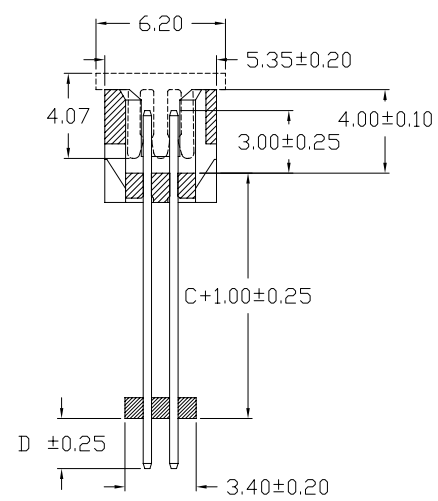
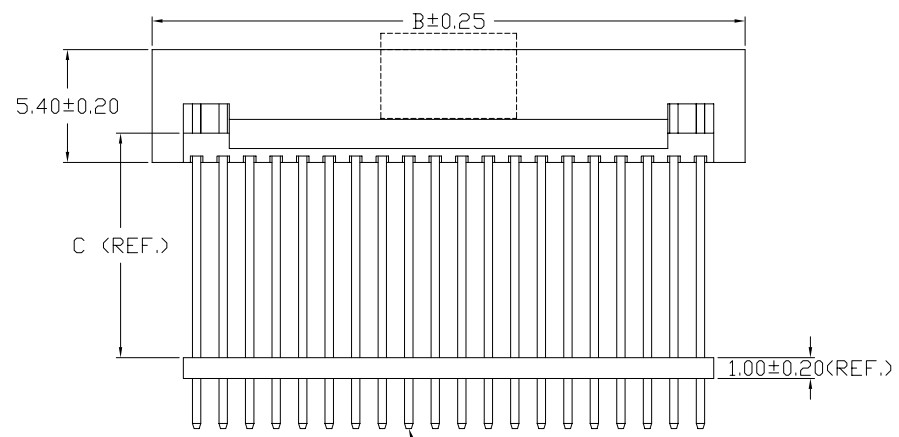
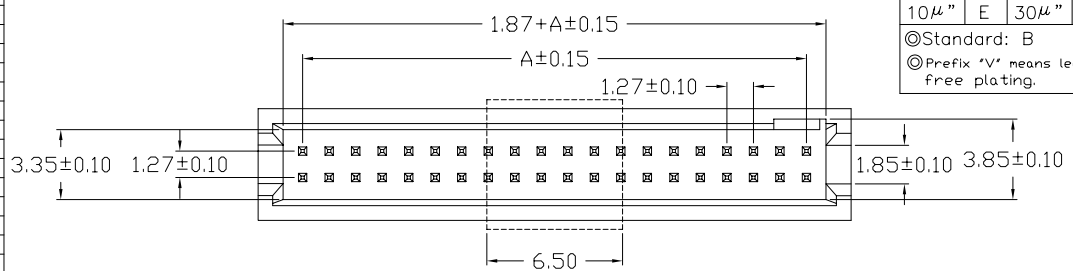
POD-XX-X-C/D-*
 Number of Contacts
 NULL:TUBE(W/O PAD)
 P: PAD+TUBE
 R: PAD+REEL
 Number of Contacts

Contact Plating

Definition	Code
◎ Gold plated:	
flash	B 15μ" F
10μ"	E 30μ" J
◎Standard: B	
◎Prefix 'V' means lead free plating.	

SPECIFICATIONS

Current Rating: 1 Amp
 Insulator resistance: 5000 Megohms min.
 Dielectric withstanding: AC 500 V
 Operating Temperature: -40°~+105°C
 Contact Material: Copper alloy
 Insulator Material: High Temperature Thermoplastic, UL 94V-0
 Color : Black
 Finish: Gold plated
 ◎Standard: Gold flash all over
 ◎Harmful material should be compliant to Doc"EI-0005"Standards.



Recommended PCB Layout
 (PCB TOLERANCE ±0.05)

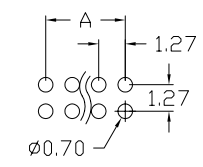


Diagram	Molding description
○	mass production & assemble mold
◎	sample & assemble mold
⊕	mass production & fix mold
⊕	sample & fix mold

Rev.	ECN Number	Description	Drawn	Date
5	EC2-530631	新增POD-XX-X-C/D-*	陳賜農	03/28'05
6	EC2-550300	新增POD-XX-X-060/032*	陳賜農	05/25 05'
7	EC3-630123	修正規格說明	詹益東	03/30 06'



GENERAL TOLERANCE	SCALE 1=1	ORIGINAL DRAWN 林秋蘭	DATE 09/06 04'	DWG. NO. 1-26 F:\DWG\CDWG\POD\POD1E.DWG PARTS NO. POD-XX-X-C/D-*	TITLE 1.27X1.27mm BOARD STACKER (成品規格圖)	REV. 7
XX. ± 0.50 XXX. ±	UNIT MM	CHECK 林錫錦	DATE 03/30 06'			SHEET 1/2
X. ± 0.30 .XXX ±	SIZE A4/3	APPROVE 林錫錦	DATE 03/30 06'			