

No. of Contacts	DIMENSIONS	
	A	B
9	5.08	8.12
12	7.62	10.66
15	10.16	13.20
18	12.70	15.74
21	15.24	18.28
24	17.78	20.82
27	20.32	23.36
30	22.86	25.90
33	25.40	28.44
36	27.94	30.98
39	30.48	33.52
42	33.02	36.06
45	35.56	38.60
48	38.10	41.14
51	40.64	43.68
54	43.18	46.22
57	45.72	48.76
60	48.26	51.30
63	50.80	53.84
66	53.34	56.38
69	55.88	58.92
72	58.42	61.46
75	60.96	64.00
78	63.50	66.54
81	66.04	69.08
84	68.58	71.62
87	71.12	74.16
90	73.66	76.70
93	76.20	79.24
96	78.74	81.78
99	81.28	84.32
102	83.82	86.86
105	86.36	89.40
108	88.90	91.94
111	91.44	94.48
114	93.98	97.02
117	96.52	99.56
120	99.06	102.10

PDFW-XXS-X-028

Number of Contacts Straight Contact Plating

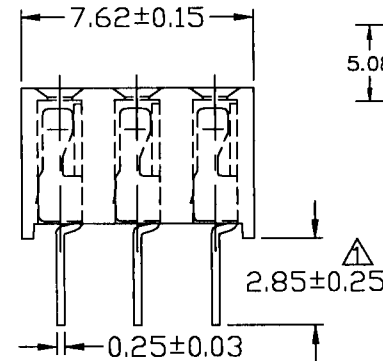
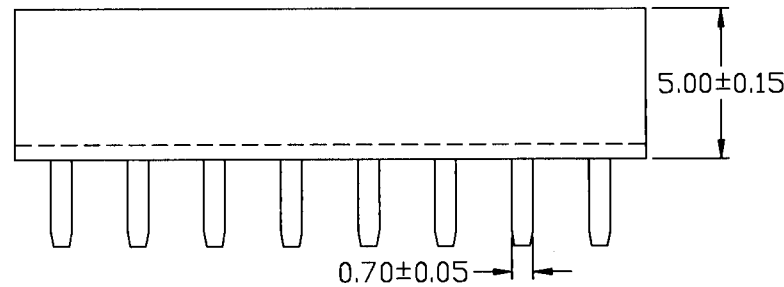
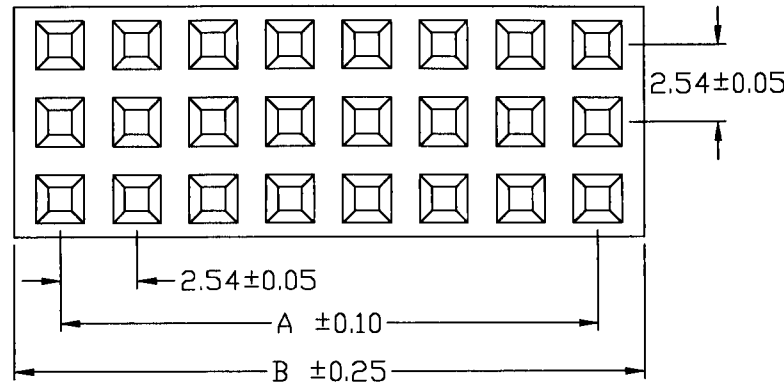
Definition	Code
◎ Tin plated:	A
200 μ" 3H	
◎ Gold plated:	
flash B 15 μ" F	
10 μ" E 30 μ" J	
◎ Duplex plating:	
flash K 15 μ" P	
10 μ" N 30 μ" U	
◎ Standard:	B

SPECIFICATIONS

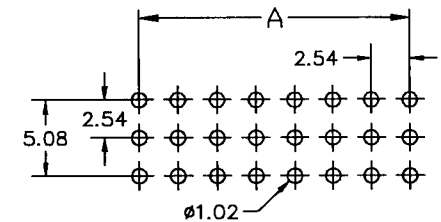
Current Rating: 3 Amps
 Insulator resistance: 5000 Megohms min.
 Contact resistance: 20 m ohms max.
 Dielectric withstanding: AC 500 V
 Operating Temperature: -40~+105°C
 Contact Material: Phosphor Bronze
 Insulator Material: Polyester, UL 94V-0
 ◎Standard: P.B.T

Finish: Tin, Gold or Duplex plated
 ◎Standard: Gold flash all over

◎ Note:
 Duplex plating: gold plated on contact area,
 Tin on solder area



Recommended P.C.Board Hole Layout



特殊規格
 此產品為三排

△ 2.80 ± 0.25	VERSION	2.85 ± 0.25	02-04-01'
△ PDFW-24S-X-028	VERSION	PDFW-XXS-X-028	26-03-02'



GENERAL TOLERANCE	
XX ±	XXX ±
X ±	.XXX ±
.X ±	.X ±
.XX ±	.X ±

SCALE	4=1
UNIT	MM
SIZE	A4

DRAWN 林程蘭
 CHECK 李杰峰
 APPROVE 何永成

DATE 08-03-02'
 DATE 06-03-02'
 DATE 06-03-02'

DWG. NO. F:\DWG\CDWG\PDF\PDFWSOA.DWG
 PARTS NO. PDFW-XXS-X-028

TITLE 成品規格圖

REV. 1.2
 SHEET 1/1