

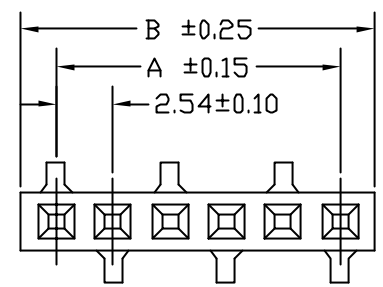
No. of Contacts	DIMENSIONS		REMARK (備註)
	A	B	
2	2.54	5.58	○
3	5.08	8.12	○
4	7.62	10.66	○
5	10.16	13.29	○
6	12.70	15.74	○
7	15.24	18.28	○
8	17.78	20.82	○
9	20.32	23.36	○
10	22.86	25.90	○
11	25.40	28.44	○
12	27.94	30.98	○
13	30.48	33.52	○
14	33.02	36.06	○
15	35.56	38.60	○
16	38.10	41.14	○
17	40.64	43.68	○
18	43.18	46.22	○
19	45.72	48.76	○
20	48.26	51.30	○
21	50.80	53.84	○
22	53.34	56.38	○
23	55.88	58.92	○
24	58.42	61.46	○
25	60.96	64.00	○
26	63.50	66.54	○
27	66.04	69.08	○
28	68.58	71.62	○
29	71.12	74.16	○
30	73.66	76.70	○
31	76.20	79.24	○
32	78.74	81.78	○
33	81.28	84.32	○
34	83.82	86.86	○
35	86.36	89.40	○
36	88.90	91.94	○
37	91.44	94.48	○
38	93.98	97.02	○
39	96.52	99.56	○
40	99.06	102.1	○

NOTES:
HARMFUL MATERIAL SHOULD BE COMPLIANT TO Doc. "E1-0005" STANDARDS.

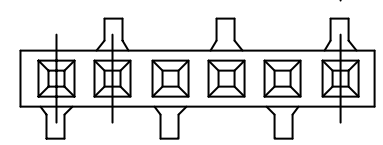
PBFY-XXBX-X-030-*
Number of Contacts | NULL: P.B.T (W/O F)
F: Nylon-6T

Definition	Code
◎ Tin plated:	A
2DDµ" 3H	
⊙ Gold plated:	
flash B 15µ"	F
10µ" E 30µ"	J
⊕ Duplex plating:	
flash K 15µ"	P
10µ" N 30µ"	U
◎ Standard: B	
⊕ Prefix "V" means lead free plating.	

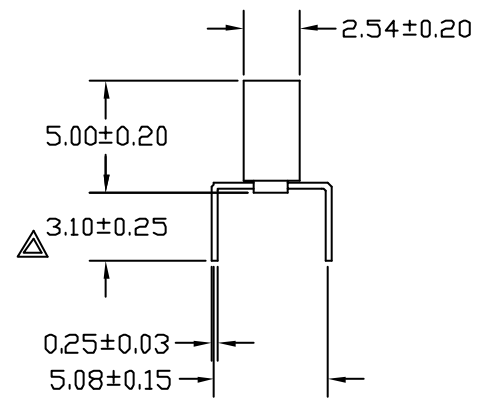
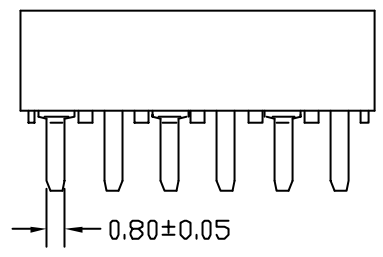
SPECIFICATIONS
 Current Rating: 3 Amps
 Insulator resistance: 5000 Megohms min.
 Contacts resistance: 20 m ohms max.
 Dielectric withstanding: AC 1000 V
 Operating Temperature: -40°~+105°C
 Contact Material: Phosphor bronze
 Insulator Material: Polyester, UL 94V-0
 ◎ Standard: P.B.T
 Finish: Tin, Gold or Duplex plated
 ◎ Standard: Gold flash all over
 ◎ Note:
 Duplex plating: gold plated on contact area, Tin on solder area



TYPE B1



TYPE B2



Recommended PCB Layout
(PCB TOLERANCE ±0.05)

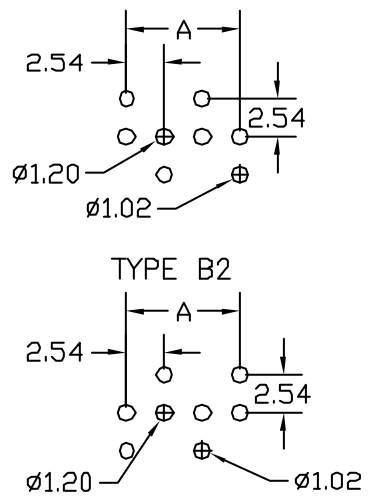


Diagram	Molding description	Rev.	ECN Number	Description	Drawn	Date
○	mass production & assemble mold	5	EC2-540360	新增規格	陳賜農	04/14'05
⊙	sample & assemble mold	6	ECR-610006	修改尺寸 3.00=>3.10	洪博慎	01/16 06'
⊕	mass production & fix mold					
⊕	sample & fix mold					



GENERAL TOLERANCE		SCALE 3=1	ORIGINAL DRAWN Mapleleaf.Li	DATE 01/03'06	DWG. NO. IX-XX	TITLE 2.54mm SOCKET DUAL ENTRY TYPE (成規規格圖)	REV. 6
XX ± 0.50	XXX ±	UNIT MM	CHECK 林錫坤	DATE 01/16 06'	F:\DWG\CDWG\PBF\PBFY0A.DWG		SHEET
X ± 0.30	.XXX ±	SIZE A4	APPROVE 林錫坤	DATE 01/16 06'	PBFY-XXBX-X-030-*		1/1
.X ± 0.25	.X ± 4'						
.XX ± 0.20	.X ± 4'						