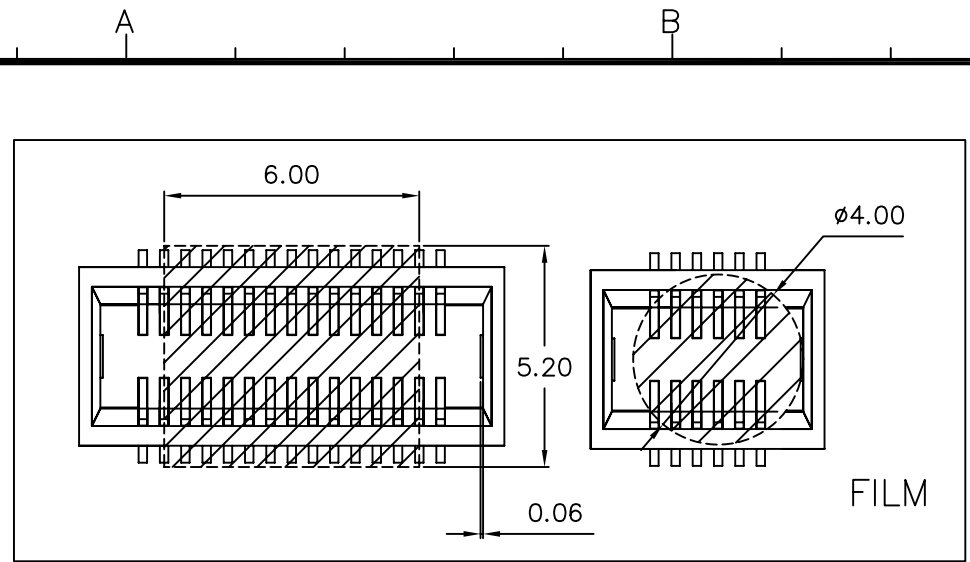


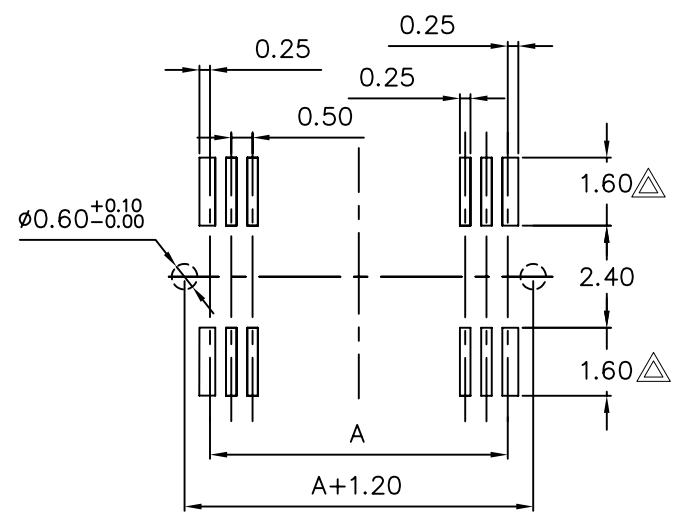
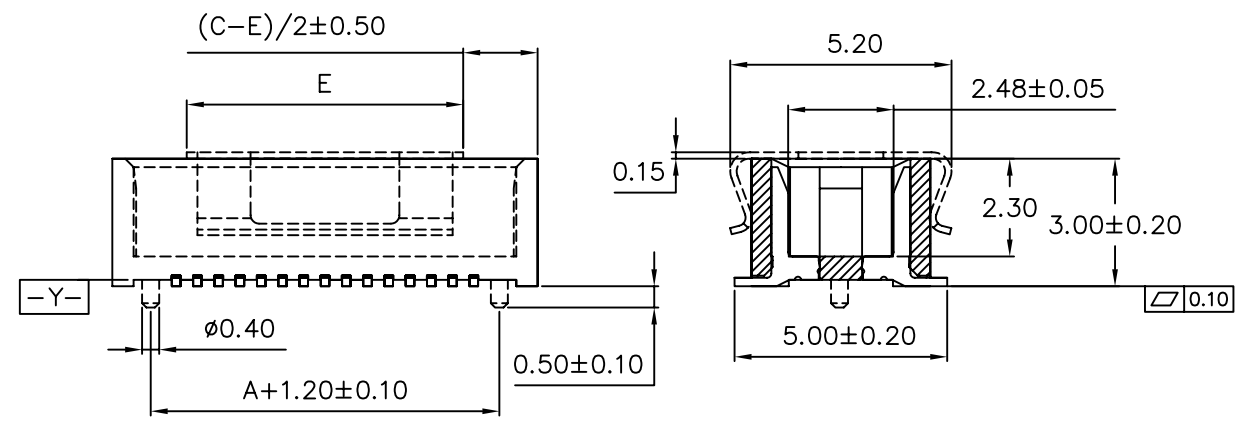
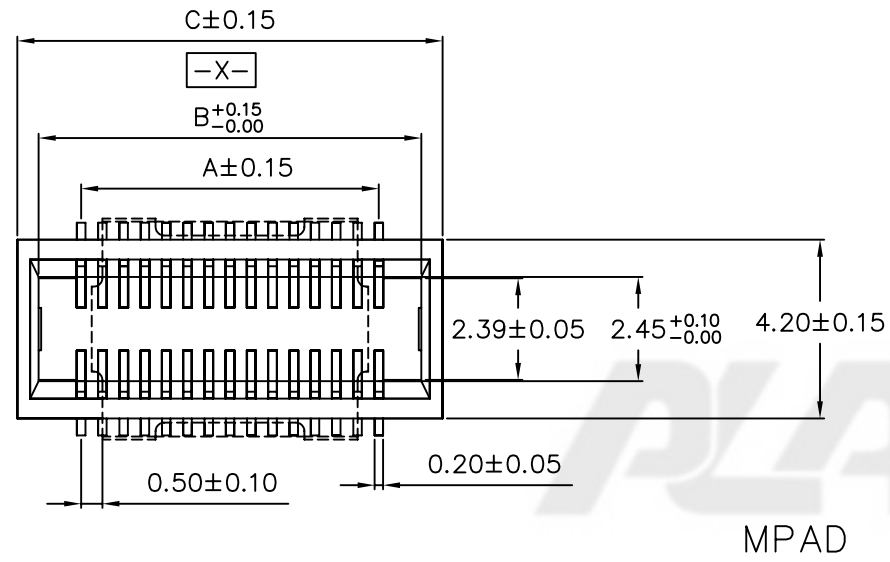
CURCUITS	A	B	C
10	2.00	4.00	5.00
12	2.50	4.50	5.50
14	3.00	5.00	6.00
16	3.50	5.50	6.50
18	4.00	6.00	7.00
20	4.50	6.50	7.50
22	5.00	7.00	8.00
24	5.50	7.50	8.50
26	6.00	8.00	9.00
28	6.50	8.50	9.50
30	7.00	9.00	10.00
32	7.50	9.50	10.50
34	8.00	10.00	11.00
36	8.50	10.50	11.50
38	9.00	11.00	12.00
40	9.50	11.50	12.50
42	10.00	12.00	13.00
44	10.50	12.50	13.50
46	11.00	13.00	14.00
48	11.50	13.50	14.50
50	12.00	14.00	15.00
52	12.50	14.50	15.50
54	13.00	15.00	15.50
56	13.50	15.50	16.50
58	14.00	16.00	17.00
60	14.50	16.50	17.50
62	15.00	17.00	18.00
64	15.50	17.50	18.50
66	16.00	18.00	19.00
68	16.50	18.50	19.50
70	17.00	19.00	20.00
72	17.50	19.50	20.50
74	18.00	20.00	21.00
76	18.50	20.50	21.50
78	19.00	21.00	22.00
80	19.50	21.50	22.50
82	20.00	22.00	23.00
84	20.50	22.50	23.50
86	21.00	23.00	24.00
88	21.50	23.50	24.50
90	22.00	24.00	25.00
92	22.50	24.50	25.50
94	23.00	25.00	26.00
96	23.50	25.50	26.50
98	24.00	26.00	27.00
100	24.50	26.50	27.50
102	25.00	27.00	28.00
104	25.50	27.50	28.50
106	26.00	28.00	29.00
108	26.50	28.50	29.50
110	27.00	29.00	30.00
112	27.50	29.50	30.50
114	28.00	30.00	31.00
116	28.50	30.50	31.50
118	29.00	31.00	32.00
120	29.50	31.50	32.50

REV.	ECN NO.	DESCRIPTION	DRAWN	APPD.
18	EH07010119	----	Ray Li	Wolfe Liu
19	EH10030010	MODIFY LAYOUT	WEI ZOU	MIKE ZHANG



PIN	FILM/MPAD P/N	DIM.E
10~12	KT004	4.00
14~120	KT0014	6.00
10~20	MPAD0010	4.00
22~120	MPAD0006-1D	6.50

- NOTES: (UNLESS OTHERWISE SPECIFIED)
- DIMENSION SHALL BE INTERPRETED PER ANSI Y14.5M-1994
  - INSERTION FORCE: 110g MAX. PER CONTACT.
  - WITHDRAW FORCE: 11g MIN. PER CONTACT.
  - DURABILITY: 30 CYCLES MIN..
  - CONTACT RENTENTION FORCE: 150g MIN. PER CONTACT.
  - CURRENT RATING: 0.5 AMPERE.
  - RATED VOLTAGE: 30 V AD/DC
  - CONTACT RESISTANCE: 60 m ohms MAX. FOR INITIAL.
  - DIELECTRIC WITHSTANDING VOLTAGE: 500V AC rms./MINUTE.
  - INSULATION RESISTANCE: 100 Megohms MIN..
  - HARMFUL MATERIAL SHOULD BE COMPLIANT TO DOC. "EI-0005" STANDARDS.
  - PRODUCT NUMBER MATRIX:



RECOMMEND P.C.B. LAYOUT  
(PCB TOLERANCE ±0.05)

ZVB-XXS1-X-X-\*  
 NULL: TUBE  
 B: MPAD+REEL  
 E: MPAD+TUBE  
 C: FILM+REEL  
 K: REEL  
 0: W/O Locating peg  
 1: With Locating peg

Definition	Code
◎ Gold plated:	
flash B	15μ" F
10μ" E	30μ" J
◎Standard: B	



GENERAL TOLERANCE		SCALE	ORIGINAL DRAWN	DATE	DWG. NO.	TITLE	REV.
XX. ± 0.50	XXX. ±	1=1	Ray Li	01.13'07	600-0000-0217	CUSTOMER DRAWING	19
X. ± 0.30	.XXX ±	UNIT	CHECK	DATE			----
.X ± 0.25	X.° ± 4'	SIZE	APPROVE	DATE	PARTS NO.(INTENDED USE)	SOCKET SERIES	1/1
.XX ± 0.20	.X.° ± 4'	A4	MIKE ZHANG	03.03'10	ZVB-XXS1-X-X-*		