

CIRCUITS	DIM A	DIM B	DIM C	REMARK	
				有導	無導
10	3.20	6.00	4.80	⊕	
12	4.00	6.80	5.60	⊕	
14	4.80	7.60	6.40		
16	5.60	8.40	7.20		
18	6.40	9.20	8.00		
20	7.20	10.00	8.80		
22	8.00	10.80	9.60		
24	8.80	11.60	10.40		
26	9.60	12.40	11.20	⊕	
28	10.40	13.20	12.00		
30	11.20	14.00	12.80		
32	12.00	14.80	13.60		
34	12.80	15.60	14.40		
36	13.60	16.40	15.20		
40	15.20	18.00	16.80		
50	19.20	22.00	20.80	⊕	△
58	22.40	25.20	24.00	⊕	
60	23.20	26.00	24.80		
70	27.20	30.00	28.80		
80	31.20	34.00	32.80	⊕	
90	35.20	38.00	36.80		
100	39.20	42.00	40.80		

ZIV-XXS8-X-X-\*  
 NULL: TUBE(W/O MPAD, FILM)  
 C: FILM+REEL  
 F: FILM+TUBE  
 B: MPAD+REEL  
 E: MPAD+TUBE

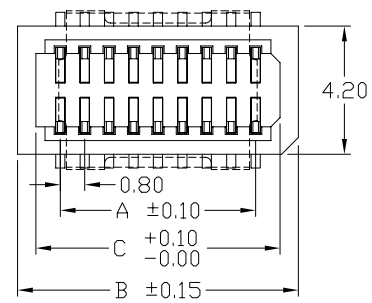
Number of Contacts: 1: With Locating peg  
 0/W: Locating peg

Straight  
 Contact Plating

**SPECIFICATIONS**

Current Rating: 0.5 Amps  
 Insulator resistance: 100 Megohms Min.  
 Contact resistance: 70 m ohm Max.  
 Dielectric withstanding: AC 500 V  
 Operating Temperature: -40° - +85°C  
 Contact Material: Phosper bronze  
 Insulator Material: High Temperature Thermoplastic, UL 94V-0 Natural  
 Color: Natural  
 Finish: Gold all over nickel

Definition	Code
◎ Gold plated:	
flash B 15μ"	F
10μ" E 30μ" J	
◎ Standard: B	
◎ Prefix "V" means lead free plating	



Recommended PCB Layout  
 (PCB TOLERANCE ±0.05)

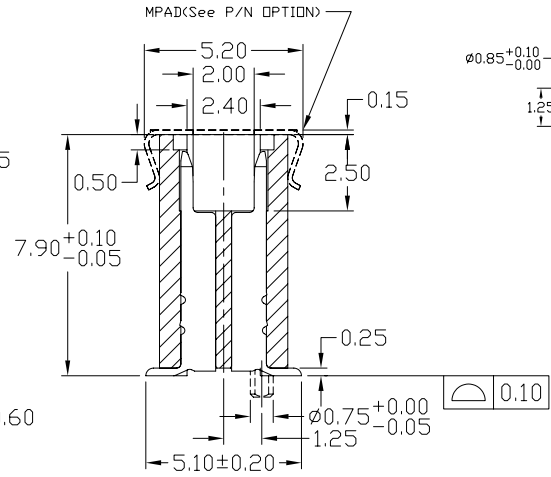
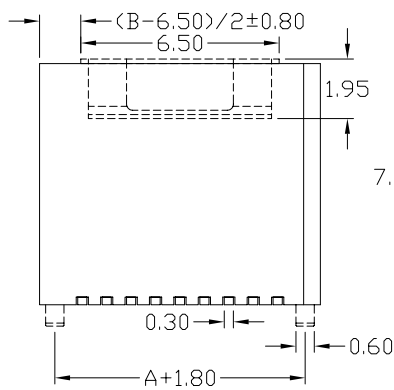
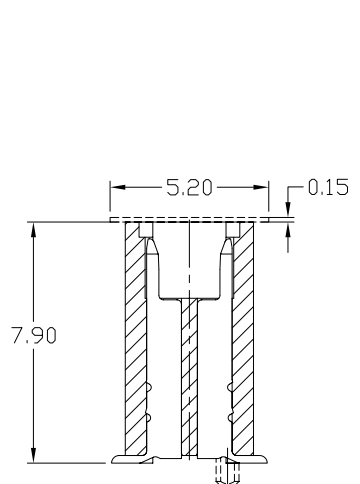
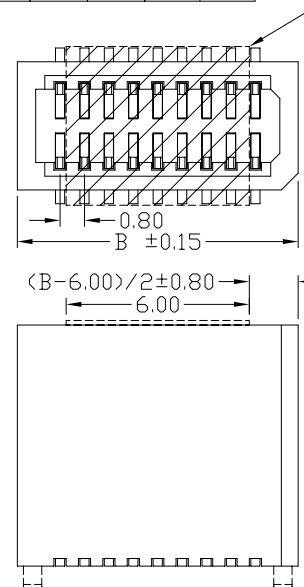
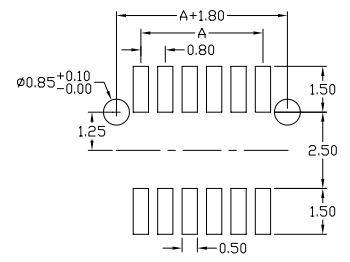


Diagram	Molding description
○	mass production & assemble mold
◎	sample & assemble mold
⊕	mass production & fix mold
⊕	sample & fix mold

Rev.	ECN Number	Description	Drawn	Date
8	EC2-480180	新增電鍍碼選項+圖面新增設計	洪銀雯	08/10/04'
9	EC2-580214	新增 80 PIN 有導	陳美竹	08/26 05'
10	ECR-5C0033	50PIN 有導評估通過	李建勝	12/22 05'

△ Harmful Material should be compliant to Doc."EI-0005" standards.



GENERAL TOLERANCE		SCALE	ORIGINAL DRAWN	DATE
XX. ± 0.50	XXX. ±	1=1	林秋蘭	03'/11/04
X. ± 0.30	.XXX ±	UNIT	林錫錦	DATE
.X ± 0.25	.X° ± 4°	MM	林錫錦	12/22 05'
.XX ± 0.20	.X° ± 4°	SIZE	林錫錦	DATE
		A4/4		12/22 05'

CHECK	DATE	DWG. NO.	TITLE	REV.
林錫錦	12/22 05'	X-XX	0.8mm Board To Board Socket	10
林錫錦	12/22 05'	F: \DWG\CDWG\ZIV\ZIVMOU.DWG	(成品規格圖)	SHEET
		PARTS NO.		1/1
		ZIV-XXS8-X-X-*		