

CIRCUITS	DIM A	DIM B	DIM C	REMARK (有導)	REMARK (無導)
10	3.20	6.00	4.80		
12	4.00	6.80	5.60		
14	4.80	7.60	6.40		
16	5.60	8.40	7.20	⊕	
18	6.40	9.20	8.00		
20	7.20	10.00	8.80		
22	8.00	10.80	9.60		
24	8.80	11.60	10.40	⊕	
26	9.60	12.40	11.20	⊕	
28	10.40	13.20	12.00		
30	11.20	14.00	12.80		
32	12.00	14.80	13.60		
34	12.80	15.60	14.40	⊕	⊕
36	13.60	16.40	15.20		
40	15.20	18.00	16.80		
50	19.20	22.00	20.80		
60	23.20	26.00	24.80		
70	27.20	30.00	28.80		
80	31.20	34.00	32.80		
90	35.20	38.00	36.80		
100	39.20	42.00	40.80		

ZIV-XXS3-X-X-\*

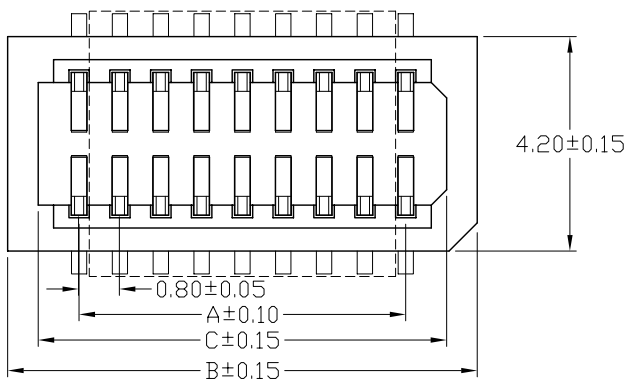
Number of Contacts  
(EX:100Contacts=AO)

NULL: TUBE(W/O FILM)  
C: FILM+REEL  
F: FILM+TUBE

Definition	Code
⊕ Tin plated:	A
⊕ Gold plated:	
flash B 15μ"	F
10μ" E 30μ"	J
⊕Standard: B	
⊕Prefix "V" means lead free plating.	

0: W/O Locating peg  
1: With Locating peg

Current Rating: 0.5 Amps  
Insulator resistance: 100 Megohms Min.  
Contact resistance: 70 m ohm Max.  
Dielectric withstanding: AC 500 V  
Operating Temperature: -40° - +85°C  
Contact Material: Phosphor bronze  
Insulator Material: High Temperature Thermoplastic, UL 94V-0  
Color: Natural  
Finish: Gold all over nickel



Recommended PCB Layout  
(PCB TOLERANCE ±0.05)

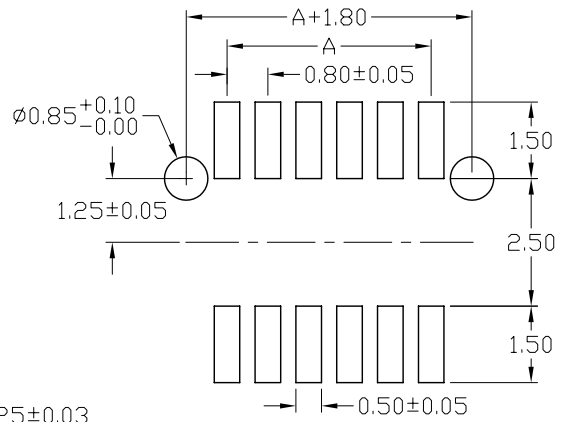
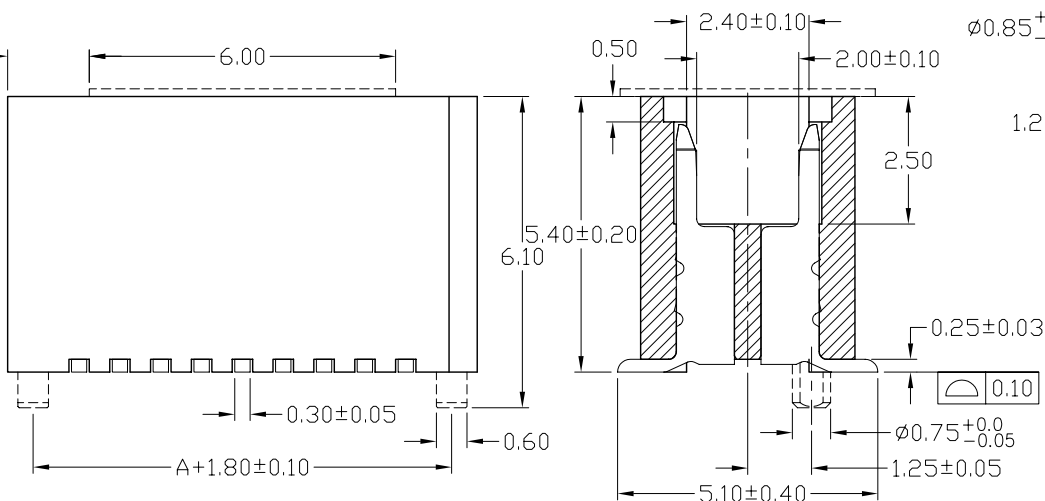


Diagram	Molding description
○	mass production & assemble mold
⊙	sample & assemble mold
⊕	mass production & fix mold
⊕	sample & fix mold

$\triangle (B-6.00)/2 \pm 0.50$



Rev.	ECN Number	Description	Drawn	Date
6	DOC9303156	圖面修改如圖所示	邱若婷	11/03/04'
7	EC3-530026	新增16PIN有導	陳顯鑫	03/21 05'
8	ECR-580077	圖面修正	陳美竹	08/19 05'



GENERAL TOLERANCE	
XX. ± 0.50	XXX. ±
X. ± 0.30	.XXX ±
.X ± 0.25	X.° ± 4°
.XX ± 0.20	.X° ± 4°

SCALE	1=1
UNIT	MM
SIZE	A4/8

ORIGINAL DRAWN	林秋蘭	DATE	27-09-02'
CHECK	林錫錦	DATE	08/19 05'
APPROVE	林錫錦	DATE	08/19 05'

DWG. NO.	4-01
F: \DWG\CDWG\ZIV\ZIVMOH.DWG	
PARTS NO.	ZIV-XXS3-X-X-*

TITLE	0.8mm Board To Board Socket (成品規格圖)
-------	-------------------------------------

REV.	8
SHEET	1/1