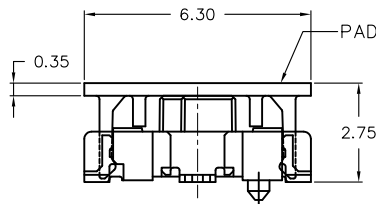
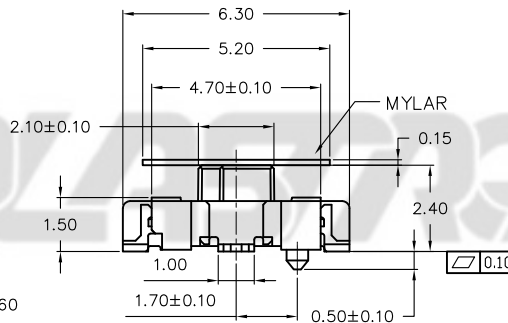
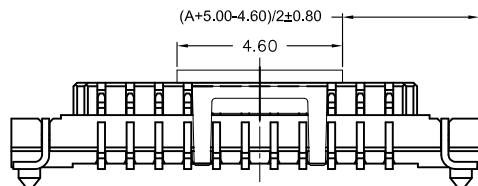
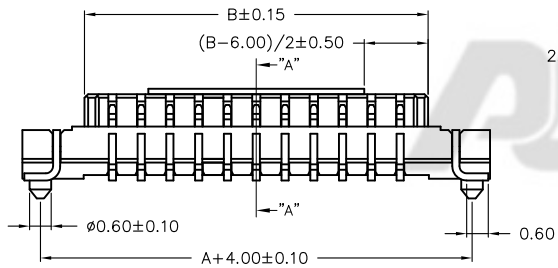
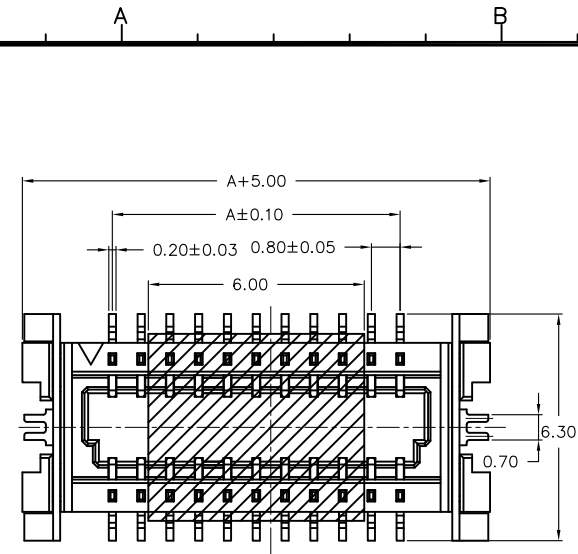


100	39.20	40.75
98	38.40	39.95
96	37.60	39.15
94	36.80	38.35
92	36.00	37.55
90	35.20	36.75
88	34.40	35.95
86	33.60	35.15
84	32.80	34.35
82	32.00	33.55
80	31.20	32.75
78	30.40	31.95
76	29.60	31.15
74	28.80	30.35
72	28.00	29.55
70	27.20	28.75
68	26.40	27.95
66	25.60	27.15
64	24.80	26.35
62	24.00	25.55
60	23.20	24.75
58	22.40	23.95
56	21.60	23.15
54	20.80	22.35
52	20.00	21.55
50	19.20	20.75
48	18.40	19.95
46	17.60	19.15
44	16.80	18.35
42	16.00	17.55
40	15.20	16.75
38	14.40	15.95
36	13.60	15.15
34	12.80	14.35
32	12.00	13.55
30	11.20	12.75
28	10.40	11.95
26	9.60	11.15
24	8.80	10.35
22	8.00	9.55
20	7.20	8.75
18	6.40	7.95
16	5.60	7.15
14	4.80	6.35
12	4.00	5.55
10	3.20	4.75
08	2.40	3.95
06	1.60	3.15
04	0.80	2.35
CIRCUITS	DIM A	DIM B



REV.	ECN NO.	DESCRIPTION	DRAWN
17	CH10110127	MODIFY THE PACKAGE DRAWING	IVANLUI
18	EW14120011	MODIFY 12PIN PACKAGE SPEC.	Ruihua.Hu

NOTES:(UNLESS OTHERWISE SPECIFIED)

1. INSERTION FORCE: 150g MAX. PER CONTACT
2. WITHDRAW FORCE: 25g MIN. PER CONTACT
3. CONTACT RETENTION FORCE: 200g MIN. PER CONTACT
4. CONTACT RESISTANCE: 40m ohms MAX. FOR INITIAL.
5. CURRENT RATING: 0.50 AMPERE
6. DIELECTRIC WITHSTANDING VOLTAGE: 500V AC rms. PER ONE MINUTE.
7. INSULATION RESISTANCE M ohms MIN.
8. HARMFUL MATERIAL SHOULD BE COMPLIANT TO DOC. "EI-0005" STANDARDS.
9. PRODUCT NUMBER MATRIX:

ZIH-XXS1-X-X-X-*

NO. OF CONTACT
Straight

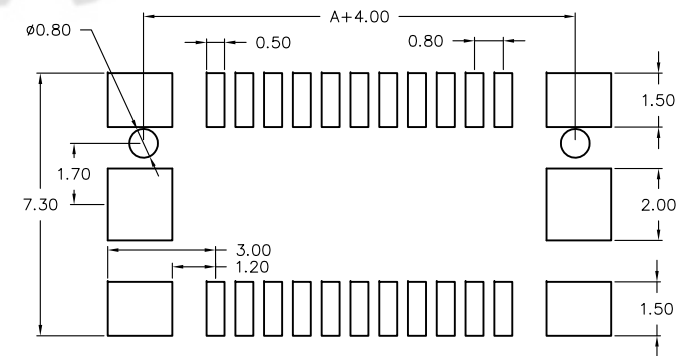
PLATING CODE:

Definition	Code
⊙ Tin plated:	A
⊙ Gold plated:	B
All plating is lead free.	

NULL: TUBE(W/O FILM)
K: REEL(W/O FILM)
C: FILM+REEL
R: PAD+REEL

H:HALEGEN FREE
Null:WITH HALOGEN

0:W/O LOCATING PEG
1:WITH LOCATING PEG



RECOMMENDED PCB LAYOUT
(PCB TOLERANCE: ±0.05)



PLASTRON TECHNOLOGY (SU ZHOU) CO., LTD

GENERAL TOLERANCE	
XX. ± 0.50	XXX. ±
X. ± 0.30	.XXX ±
.X ± 0.25	X.* ± 3*
.XX ± 0.20	.X* ± 2*

SCALE	1=1
UNIT	MM
SIZE	A4

ORIGINAL DRAWN	胡瑞華
CHECK	周曉峰
APPROVE	高建雄

DATE	12/06'14
DATE	12/06'14
DATE	12/06'14

DWG. NO.	600-0000-0286
PARTS NO.(INTENDED USE)	ZIH-XXS1-X-X-X-*SERIES

TITLE	CUSTOMER DRAWING
FOR BTB 0.80mm pitch Socket	

REV.	18
SHEET	1/3