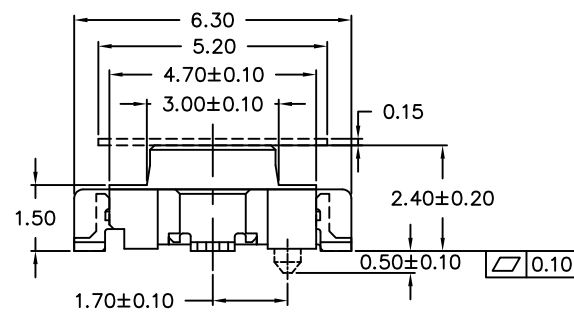
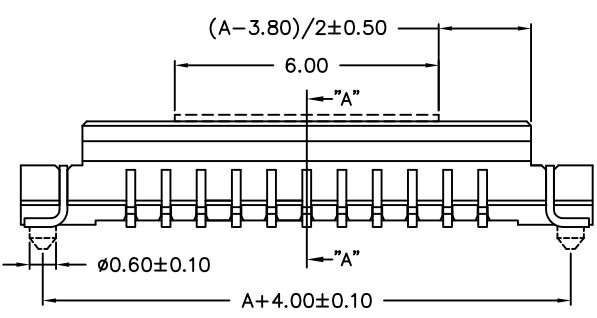
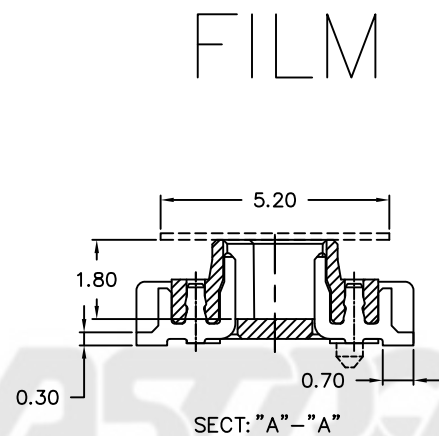
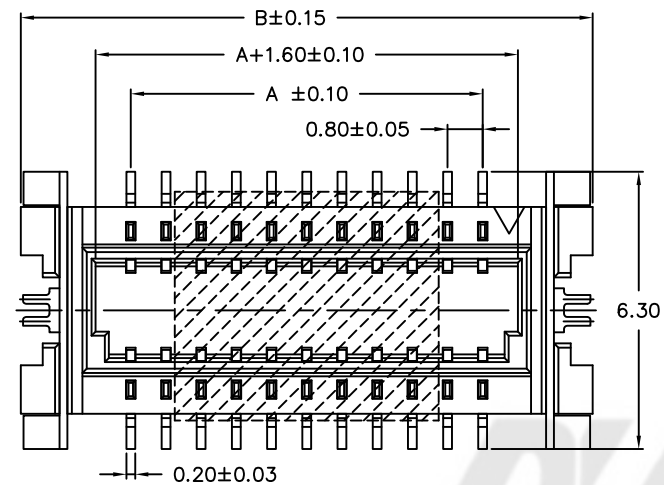


A0	39.20	44.20
98	38.40	43.40
96	37.60	42.60
94	36.80	41.80
92	36.00	41.00
90	35.20	40.20
88	34.40	39.40
86	33.60	38.60
84	32.80	37.80
82	32.00	37.00
80	31.20	36.20
78	30.40	35.40
76	29.60	34.60
74	28.80	33.80
72	28.00	33.00
70	27.20	32.20
68	26.40	31.40
66	25.60	30.60
64	24.80	29.80
62	24.00	29.00
60	23.20	28.20
58	22.40	27.40
56	21.60	26.60
54	20.80	25.80
52	20.00	25.00
50	19.20	24.20
48	18.40	23.40
46	17.60	22.60
44	16.80	21.80
42	16.00	21.00
40	15.20	20.20
38	14.40	19.40
36	13.60	18.60
34	12.80	17.80
32	12.00	17.00
30	11.20	16.20
28	10.40	15.40
26	9.60	14.60
24	8.80	13.80
22	8.00	13.00
20	7.20	12.20
18	6.40	11.40
16	5.60	10.60
14	4.80	9.80
12	4.00	9.00
10	3.20	8.20
08	2.40	7.40
06	1.60	6.60
04	0.80	5.80
No. of Contact	A	B
Dimension		



Rev.	ECN Number	Description	Drawn
16	CH11010080	增加包裝示意圖	IVANLUI_01/11'11
17	EW14120009	修改12PIN包裝規範	胡瑞華_12/06'14

NOTES: (UNLESS OTHERWISE SPECIFIED)

- All Dimensions are in Millimeters.
- Material:
Housing:UL94 V-0, COLOR:NATURE.
Contact:Copper alloys
- Dimension shall be interpreted per"ansi Y14.5M-1994"
- CURRENT RATING: 0.5 AMPERE.
- CONTACT RESISTANCE: 40 m ohms MAX. FOR INITIAL.
- DIELECTRIC WITHSTANDING VOLTAGE:
500V AC rms. PER ONE MINUTE.
- INSULATION RESISTANCE: 100 M ohms MIN..
- HARMFUL MATERIAL SHOULD BE COMPLIANT TO DOC. "EI-0005" STANDARDS.
- PRODUCT NUMBER MATRIX:

ZIG-XXS1-X-X-X-*

Number of Contacts: []
Straight: []
Contact Plating: []

NULL: TUBE(W/O FILM)
K: REEL(W/O FILM)
C: FILM+REEL
F: FILM+TUBE
R: PAD+REEL

NULL: HIGH TEMPERATURE THERMOPLASTIC
H: HALOGEN FREE

0:W/O Locating peg
1:With Locating peg

Definition	Code
⊙ Tin plated:	A
⊙ Gold plated:	
flash	B 15 μ" F
3 μ"	C 20 μ" G
5 μ"	D 25 μ" H
10 μ"	E 30 μ" J
⊙ Standard:	B
⊙ All plating is lead free.	

 PLASTRON TECHNOLOGY (SU ZHOU) CO., LTD.	GENERAL TOLERANCE		SCALE 6:1	ORIGINAL DRAWN 胡瑞華	DATE 12/06-14'	DWG. NO. 600-0000-0189	TITLE CUSTOMER_DRAWING	REV. 17
	XX. ±	XXX. ±	UNIT MM	CHECK 周曉峰	DATE 12/06-14'			PARTS NO.(INTENDED USE) ZIG-XXS1-X-X-X-*
	X. ± 0.15	.XXX ±	SIZE A4	APPROVE 高建雄	DATE 12/06-14'			
	.X ± 0.25	X.° ± 3°						
.XX ± 0.20	.X.° ± 2°							