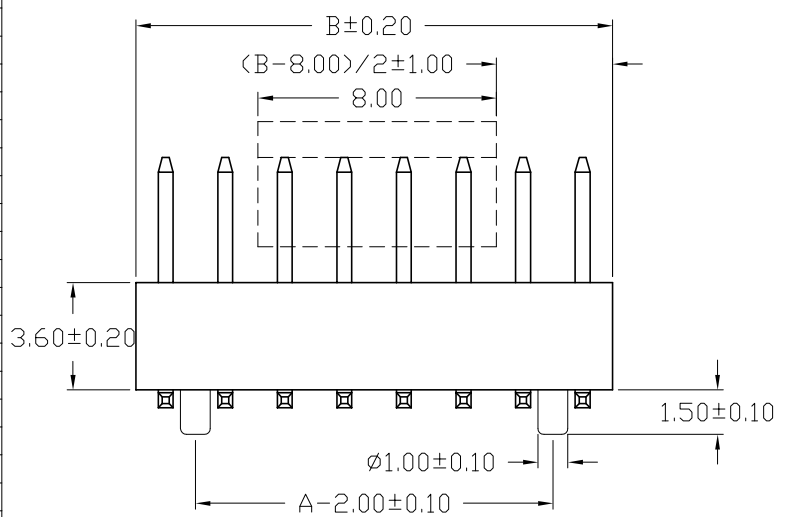
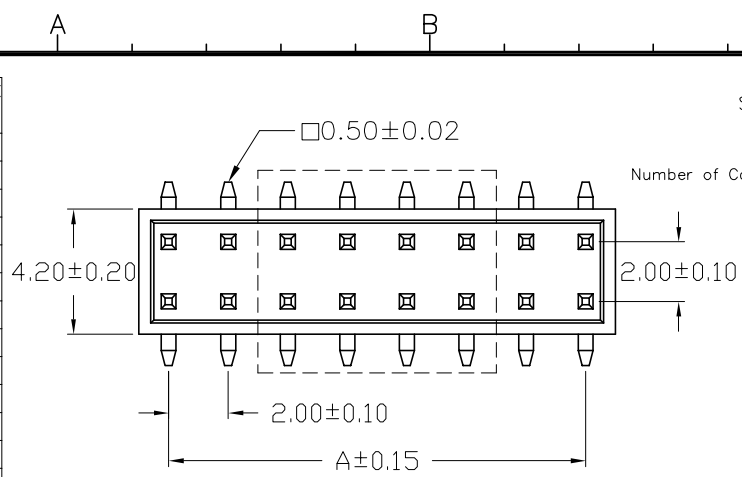


No. of Contacts	DIMENSIONS		REMARK (備註)
	A	B	
6	4.00	6.00	○
8	6.00	8.00	○
10	8.00	10.00	○
12	10.00	12.00	○
14	12.00	14.00	○
16	14.00	16.00	○
18	16.00	18.00	○
20	18.00	20.00	○
22	20.00	22.00	○
24	22.00	24.00	○
26	24.00	26.00	○
28	26.00	28.00	○
30	28.00	30.00	○
32	30.00	32.00	○
34	32.00	34.00	○
36	34.00	36.00	○
38	36.00	38.00	○
40	38.00	40.00	○
42	40.00	42.00	○
44	42.00	44.00	○
46	44.00	46.00	○
48	46.00	48.00	○
50	48.00	50.00	○
52	50.00	52.00	○
54	52.00	54.00	○
56	54.00	56.00	○
58	56.00	58.00	○
60	58.00	60.00	○
62	60.00	62.00	○
64	62.00	64.00	○
66	64.00	66.00	○
68	66.00	68.00	○
70	68.00	70.00	○
72	70.00	72.00	○
74	72.00	74.00	○
76	74.00	76.00	○
78	76.00	78.00	○
80	78.00	80.00	○



PARTS NO.	C	REMARK (備註)
SPTG-XXS7-X-042-X-*	4.20	○
SPTG-XXS7-X-040-X-*	4.00	○
SPTG-XXS7-X-065-X-*	6.50	
SPTG-XXS7-X-028-X-*	2.80	○

SPTG-XXS7-X-C-X-\*

- NULL: W/O PAD
- P: PAD+TUBE
- R: PAD+REEL
- 0: W/O Leating peg
- 1: With Leating peg

Contact Plating

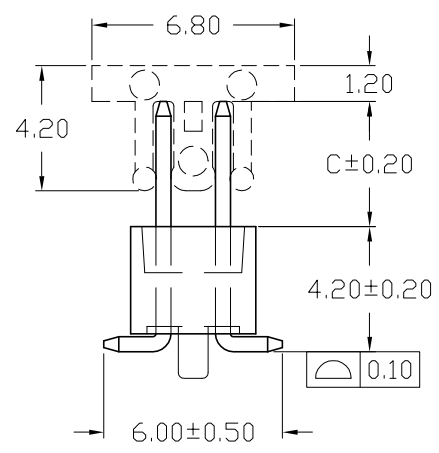
Definition	Code
◎ Tin plated:	A
◎ Gold plated:	
flash	B 15μ" F
10μ"	E 30μ" J
◎Standard:	B
◎Prefix "V" means lead free plating.	

**SPECIFICATIONS**

Current Rating: 1 Amp  
 Insulator resistance: 5000 Megohms min.  
 Dielectric withstanding: AC 500 V  
 Operating Temperature: -40°~+105°C  
 Max Processing Temp: 230° for 30 seconds  
 Contact Material: Copper alloy  
 Insulator Material: High Temperature Thermoplastic, UL 94V-0 (Nylon-6T)  
 Color: Black

Finish: Tin, Gold plated  
 ◎Standard: Gold flash all over

◎For illustration purpose the SPTG-XXS7-X-042-X- \* was shown



Recommended PCB Layout (PCB TOLERANCE ±0.05)

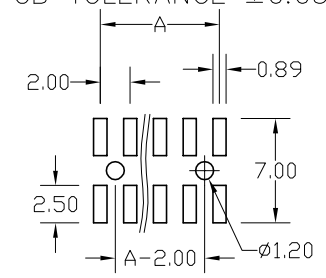


Diagram	Molding description	Rev.	ECN Number	Description	Drawn	Date
○	mass production & assemble mold	2	DOC9212192	料號新增包裝碼	邱若婷	12/12/03'
◎	sample & assemble mold	3	EC3-530020	新增環保電鍍	陳美竹	03/16 05'
⊕	mass production & fix mold					
⊗	sample & fix mold					



GENERAL TOLERANCE		SCALE	ORIGINAL DRAWN
XX. ± 0.50	XXX. ±	1=1	邱若婷
X. ± 0.30	.XXX ±	UNIT	江坤容
.X ± 0.25	.X* ± 4*	SIZE	林錫錦
.XX ± 0.20	.X* ± 4*	A4/4	

DATE	DATE	DATE
01-08-03'	03/16 05'	03/16 05'

DWG. NO.	TITLE	REV.
2-17	2.0X2.0mm HEADER SMD TYPE (成品規格圖)	3
F:\DWG\CDWG\PTG\PTGZM00.DWG		
PARTS NO. SPTG-XXS7-X-C-X-*		SHEET 1/1