

No. of Contacts	DIMENSIONS		REMARK (備註)
	A	B	
2	2.54	5.08	○
3	5.08	7.62	○
4	7.62	10.16	○
5	10.16	12.70	○
6	12.70	15.24	○
7	15.24	17.78	○
8	17.78	20.32	○
9	20.32	22.86	○
10	22.86	25.40	○
11	25.40	27.94	○
12	27.94	30.48	○
13	30.48	33.02	○
14	33.02	35.56	○
15	35.56	38.10	○
16	38.10	40.64	○
17	40.64	43.18	○
18	43.18	45.72	○
19	45.72	48.26	○
20	48.26	50.80	○
21	50.80	53.34	○
22	53.34	55.88	○
23	55.88	58.42	○
24	58.42	60.96	○
25	60.96	63.50	○
26	63.50	66.04	○
27	66.04	68.58	○
28	68.58	71.12	○
29	71.12	73.66	○
30	73.66	76.20	○
31	76.20	78.74	○
32	78.74	81.28	○
33	81.28	83.82	○
34	83.82	86.36	○
35	86.36	88.90	○
36	88.90	91.44	○
37	91.44	93.98	○
38	93.98	96.52	○
39	96.52	99.06	○
40	99.06	101.60	○

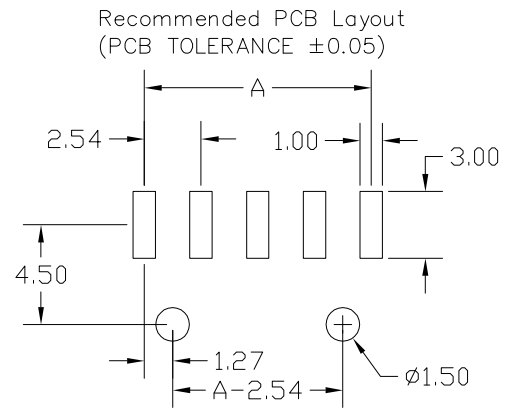
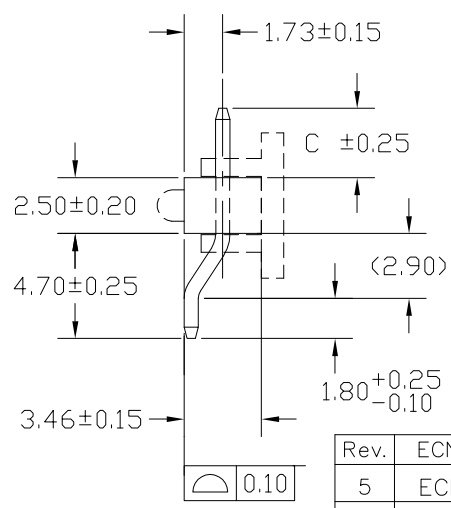
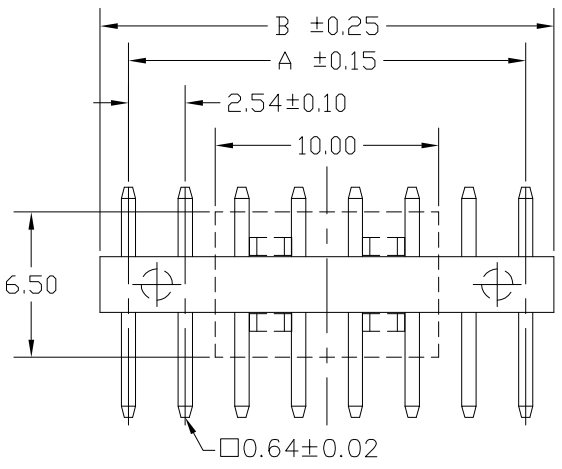
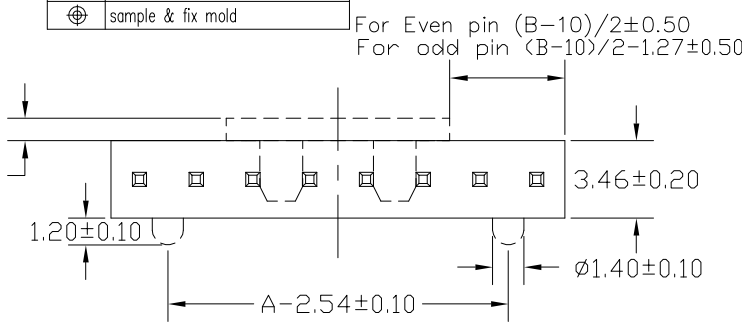
Diagram	Molding description
○	mass production & assemble mold
⊙	sample & assemble mold
⊕	mass production & fix mold
⊗	sample & fix mold

SNBHY-XXR-X-C-X-*-* NULL:TUBE(W/O PAD) SPECIFICATIONS
 P:PAD+TUBE
 R:PAD+REEL
 K:REEL(W/O PAD)
 G:TUBE
 NULL:Nylon-6T
 E:LCP

Current Rating: 3 Amps
 Insulator resistance: 5000 Megohms Min.
 Contact resistance: 20 m ohm Max.
 Dielectric withstanding: AC 500 V
 Operating Temperature: -40~+105°C
 Contact Material: Copper alloy
 Insulator Material: High Temperature Thermoplastic,UL 94V-0

0	W/O Locating peg
1	With Locating peg
2	For SNBHY-09R-X-031-2-*R (W/O Locating peg)

Definition	Code
◎ Tin plated:	A
◎ Gold plated:	
flash B 15μ" F	
10μ" E 30μ" J	
◎ Duplex plating:	
flash K 15μ" P	
10μ" N 30μ" U	
◎Standard: K	
◎Prefix "V" means lead free plating.	



Rev.	ECN Number	Description	Drawn	Date
5	ECR-510139	修正圖面尺寸公差	陳顯鑫	01/20 05'
6	ECR-570043	修正料號選項說明	陳顯鑫	07/11 05'
7	EC2-570137	新增包裝代碼 G 新增SNBHY-XXR-X-036-X-X	詹益東	07/27 05'



GENERAL TOLERANCE	
XX. ± 0.50	XXX. ±
X. ± 0.30	.XXX ±
.X ± 0.25	.X° ± 4°
.XX ± 0.20	.X° ± 4°

SCALE 3=1	UNIT MM	SIZE A4
-----------	---------	---------

ORIGINAL DRAWN 胡祥龍	DATE 27/04/04'
CHECK 林錫錦	DATE 07/27 05'
APPROVE 林錫錦	DATE 07/27 05'

DWG. NO.	TITLE
F: \DWG\CDWG\HY\HYM1R.DWG	2.54mm HEADER SMD RIGHT ANGLE (成品規格圖)
PARTS NO.	REV. 7
SNBHY-XXR-X-C-X-*-*	SHEET 1/2