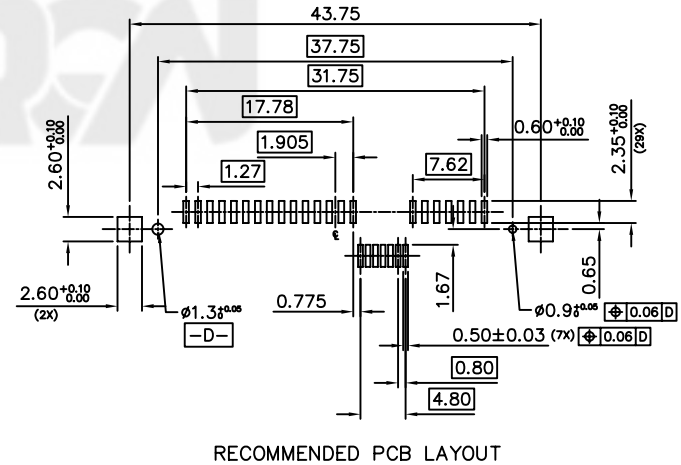
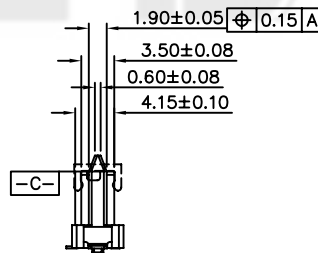
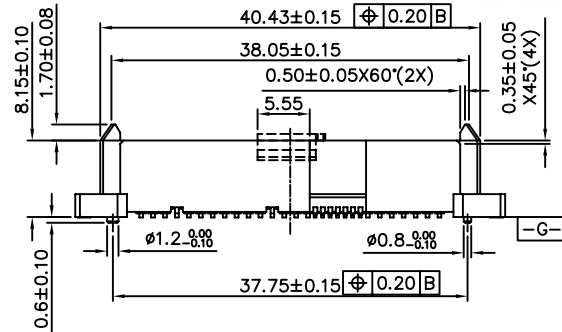
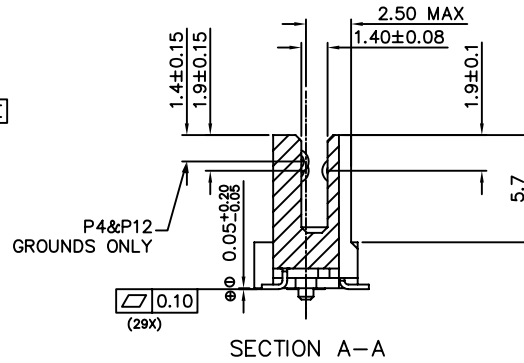
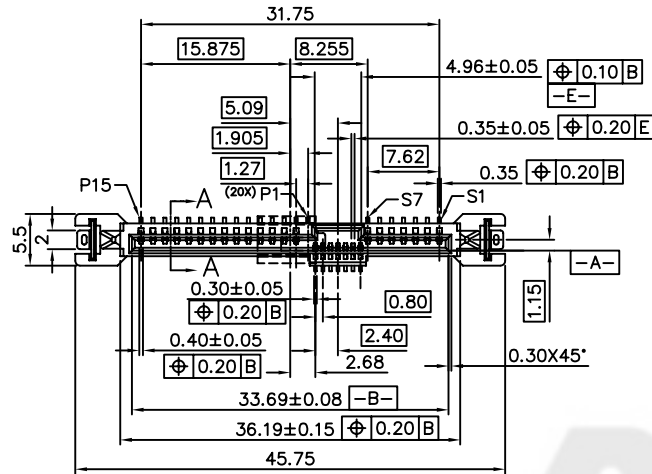


Rev.	ECN Number	Description	Drawn
3	CH10090153	新增 PAD+REEL 包裝碼	楊加林_09/23'10
4	CH10120127	新增 無鹵編碼, 增加包裝視圖	IVANLUI_11/15'10



NOTE:

- 1) MATERIAL:
  - 1) HOUSING: HIGH TEMP TERMOPLASTIC UL 94V-0
  - 2) TERMINAL: COPPER ALLOY
  - 3) HOLD DOWN: COPPER ALLOY

2) PRODUCT NO. : SA 51 29 X-X-X

SATA CONN. RECEPTACLE SMT,V/T PIN NO. NULL: HALOGEN K: REEL H: HALOGEN FREE

PLATING

8: 30u" GOLD WITH LEAD FREE NULL: TUBE  
 U: 30u" GOLD Sn/Pb K: REEL  
 R: PAD+REEL

3) HARMFUL MATERIAL SHOULD BE COMPLIANT TO DOC"EI-0005" STANDARDS.



PLASTRON TECHNOLOGY (SHEN ZHEN) CO., LTD.

GENERAL TOLERANCE		SCALE	ORIGINAL DRAWN	DATE	DWG. NO.	TITLE	REV.
XX. ±	XXX. ±	1:1	BAYM	02/8'06	600-0000-088	CUSTOMER DRAWING	4
X. ± 0.30	.XXX ±	UNIT	Lane Sun	11/19'10			
.X ± 0.25	X.* ± 3°	MM			PARTS NO.(INTENDED USE)		SHEET
.XX ± 0.20	.X.* ± 2°	SIZE	Liss.xiang	11/19'10			SA5129*.* SERIES