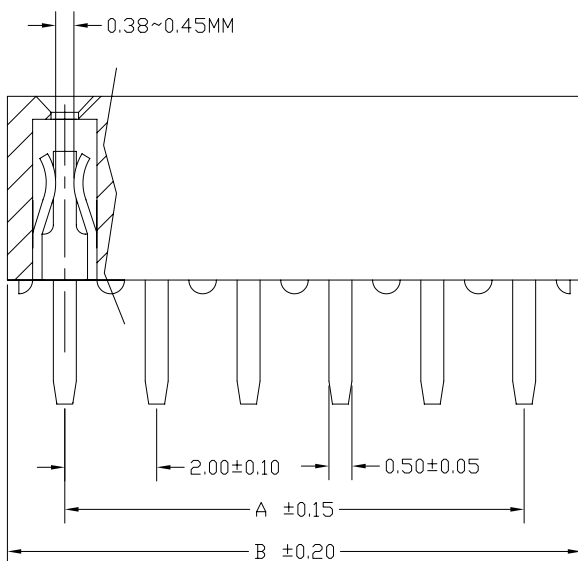
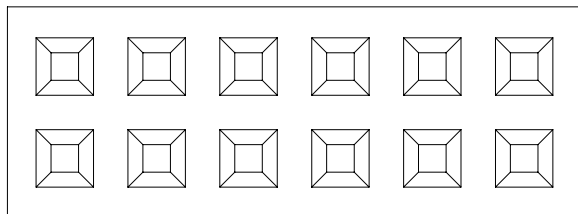


No. of Contacts	DIMENSIONS		REMARK (備註)
	A	B	
4	2.00	4.00	○
6	4.00	6.00	○
8	6.00	8.00	○
10	8.00	10.00	○
12	10.00	12.00	○
14	12.00	14.00	○
16	14.00	16.00	○
18	16.00	18.00	○
20	18.00	20.00	○
22	20.00	22.00	○
24	22.00	24.00	○
26	24.00	26.00	○
28	26.00	28.00	○
30	28.00	30.00	○
32	30.00	32.00	○
34	32.00	34.00	○
36	34.00	36.00	○
38	36.00	38.00	○
40	38.00	40.00	○
42	40.00	42.00	○
44	42.00	44.00	○
46	44.00	46.00	○
48	46.00	48.00	○
50	48.00	50.00	○
52	50.00	52.00	○
54	52.00	54.00	○
56	54.00	56.00	○
58	56.00	58.00	○
60	58.00	60.00	○
62	60.00	62.00	○
64	62.00	64.00	○
66	64.00	66.00	○
68	66.00	68.00	○
70	68.00	70.00	○
72	70.00	72.00	○
74	72.00	74.00	○
76	74.00	76.00	○
78	76.00	78.00	○
80	78.00	80.00	○



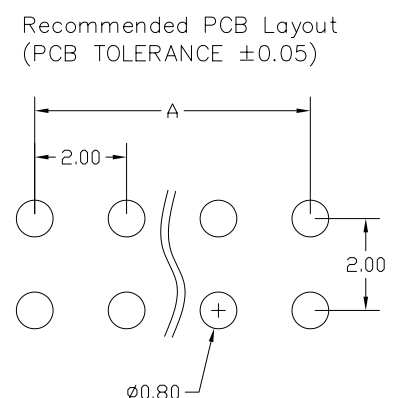
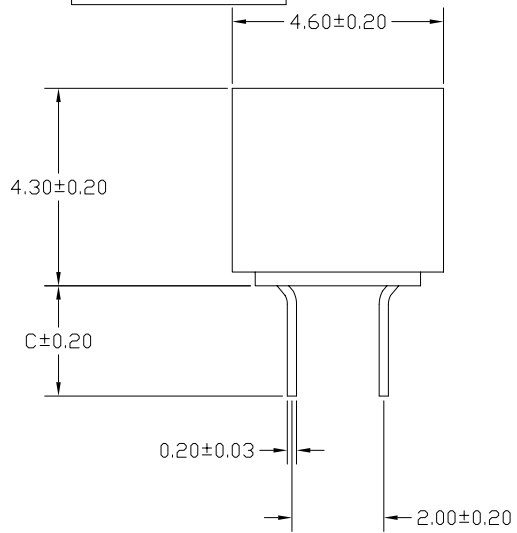
PTFZ-XXS2-X-C

Number of Contacts: Straight

1.20
2.40
3.20

Contact Plating

Definition	Code
◎ Tin plated:	A
◎ Gold plated:	
flash B 15μ"	F
10μ" E 30μ"	J
◎Duplex plating:	
flash K 15μ"	P
10μ" N 30μ"	U
◎Standard: B	
◎Prefix 'V' means lead free plating.	



**SPECIFICATIONS**

Current Rating: 1 Amp  
 Insulator resistance: 5000 Megohms min.  
 Contact resistance: 20 m ohms max.  
 Dielectric withstanding: AC 500 V  
 Operating Temperature: -40°~+105°C  
 Contact Material: Phosphor Bronze  
 Insulator Material: High Temperature Thermoplastic, UL 94V-0  
 Color : Black

Finish: Tin, Gold plated  
 ◎ Standard: Gold flash all over

Diagram	Molding description	Rev.	ECN Number	Description	Drawn	Date
○	mass production & assemble mold	3	EC2-480066	圖面新增電鍍說明	洪銀雯	08/05/04'
◎	sample & assemble mold	4	EC2-4C0494	圖面新增電鍍說明	陳顯鑫	12/18 04'
⊕	mass production & fix mold	5	EC3-5C0056	修正規格說明	詹益東	12/13 05'
⊗	sample & fix mold					



GENERAL TOLERANCE		SCALE	6=1	ORIGINAL DRAWN	邱若婷	DATE	07/09/02'	DWG. NO.	X-XX	TITLE	REV.
XX. ± 0.50	XXX. ±	UNIT	MM	CHECK	林錫錦	DATE	12/13 05'	F:\DWG\CDWG\PTF\PTFZSON.DWG		2.0x2.0mm SOCKET (成品規格圖)	5
X. ± 0.30	.XXX ±	SIZE	A4	APPROVE	林錫錦	DATE	12/13 05'	PARTS NO.	PTFZ-XXS2-X-C		SHEET
.X ± 0.25	X.° ± 4°										1/1
.XX ± 0.20	.X° ± 4°										