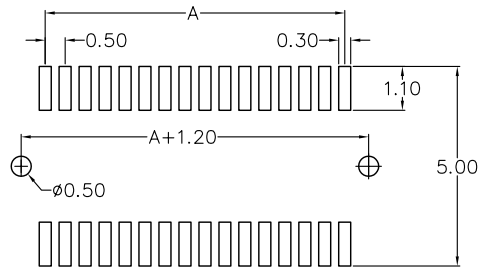
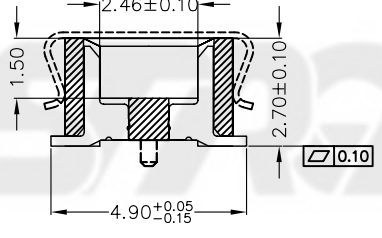
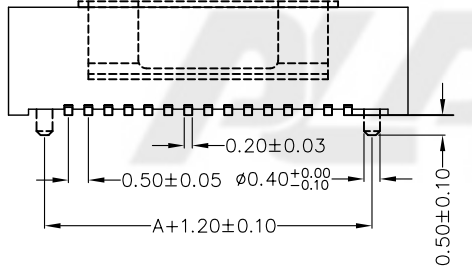
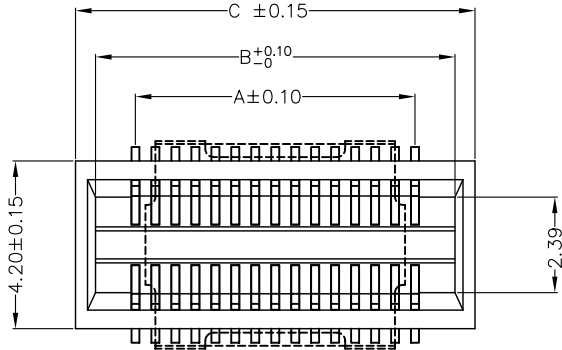


P/N	DIM A	DIM B	DIM C
10	2.00	4.00	5.00
12	2.50	4.50	5.50
14	3.00	5.00	6.00
16	3.50	5.50	6.50
18	4.00	6.00	7.00
20	4.50	6.50	7.50
22	5.00	7.00	8.00
24	5.50	7.50	8.50
26	6.00	8.00	9.00
28	6.50	8.50	9.50
30	7.00	9.00	10.00
32	7.50	9.50	10.50
34	8.00	10.00	11.00
36	8.50	10.50	11.50
38	9.00	11.00	12.00
40	9.50	11.50	12.50
42	10.00	12.00	13.00
44	10.50	12.50	13.50
46	11.00	13.00	14.00
48	11.50	13.50	14.50
50	12.00	14.00	15.00
60	14.50	16.50	17.50
70	17.00	19.00	20.00
80	19.50	21.50	22.50

Rev.	ECN Number	Description	Drawn
19	CH11030069	ADD PACKING SPEC	LiuXihong_03/08/11
20	CH11100102	ADD P/N	LiuXihong_10/20/11



Recommended PCB Layout  
(PCB TOLERANCE ±0.05)

- NOTES: (UNLESS OTHERWISE SPECIFIED)
- DIMENSION SHALL BE INTERPRETED PER ANSI Y14.5M-1994
  - INSERTION FORCE: 110g MAX. PER CONTACT.
  - WITHDRAW FORCE: 11g MIN. PER CONTACT.
  - DURABILITY: 30 CYCLES MIN..
  - CONTACT RETENTION FORCE: 150g MIN. PER CONTACT.
  - CURRENT RATING: 0.5 AMPERE.
  - CONTACT RESISTANCE: 60 m ohms MAX. FOR INITIAL.
  - DIELECTRIC WITHSTANDING VOLTAGE: 500V AC rms./MINUTE.
  - INSULATION RESISTANCE: 100 Megohms MIN..
  - OPERATING TEMPERATURE: -40°~+105°C.
  - HARMFUL MATERIAL SHOULD BE COMPLIANT TO DOC. "EI-0005" STANDARDS.
  - PRODUCT NUMBER MATRIX:

ZVB-XXS6-X-X-\*-\*

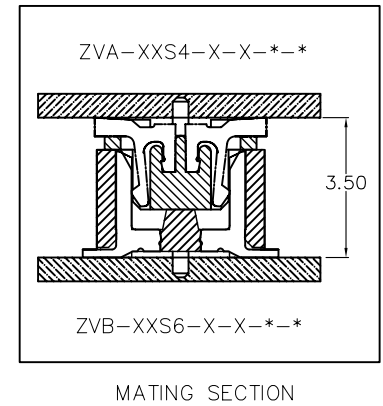
Number of Contacts: X  
Contact Plating: X

Definition	Code
◎ Tin plated:	A
◎ Gold plated:	
flash B 15μ" F	
10μ" E 30μ" J	

NULL: TUBE(W/O MAPD)  
K: REEL(W/O MAPD)  
B: MPAD+REEL  
E: MPAD+TUBE  
C: FILM+REEL  
C1: FILM+REEL  
F: FILM+TUBE

NULL: Natural  
A: Black

0: W/O Locating peg  
1: With Locating peg



TYPE	P/N	NOTES	SPEC
FILM	----	C	5.2*6.0
FILM	----	C1	5.0*6.0
MPAD	MPAD0006	10~16PIN	6.50
	MPAD0010	20~84PIN	4.00

 PLASTRON TECHNOLOGY (SHEN ZHEN) CO., LTD.	GENERAL TOLERANCE		SCALE	ORIGINAL DRAWN	DATE	DWG. NO.	TITLE	REV.
	XX. ±	XXX. ±	N/A	RAY LI	10.10 '06	600-0000-0126	CUSTOMER_DRAWING	20
	X. ± 0.30	.XXX ±	UNIT	MM	CHECK			DATE
	.X ± 0.25	X.* ± 3°	SIZE	A4	APPROVE	LANE SUN	DATE	1/4
.XX ± 0.20	.X.* ± 2°					10/20/11		