

CIRCUITS	DIM A	DIM B	DIM C	DIM D	REMARK (備註)	
					mm	W/O Locating Peg
10	2.00	4.03	5.00	3.70		
12	2.50	4.53	5.50	4.20		
14	3.00	5.03	6.00	4.70		
16	3.50	5.53	6.50	5.20	⊕	
18	4.00	6.03	7.00	5.70		
20	4.50	6.53	7.50	6.20	⊕	
22	5.00	7.03	8.00	6.70		
24	5.50	7.53	8.50	7.20		
26	6.00	8.03	9.00	7.70		
28	6.50	8.53	9.50	8.20		
30	7.00	9.03	10.00	8.70		
32	7.50	9.50	10.50	9.20		
34	8.00	10.03	11.00	9.70		
36	8.50	10.53	11.50	10.20		
38	9.00	11.03	12.00	10.70		
40	9.50	11.53	12.50	11.20		
50	12.00	14.03	15.00	13.70		
60	14.50	16.53	17.50	16.20		
70	17.00	19.03	20.00	18.70		
80	19.50	21.53	22.50	21.20		
90	22.00	24.03	25.00	23.70		
100	24.50	26.53	27.50	26.20		
110	27.00	29.03	30.00	28.70		
120	29.00	31.03	32.00	30.70		

ZVB-XXR2-X-X-*

Number of Contacts Right Angle

NULL TUBE
K: REEL

0: W/O Locating peg
1: With Locating peg

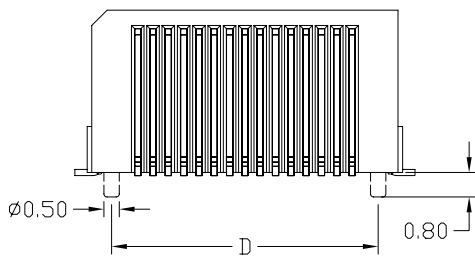
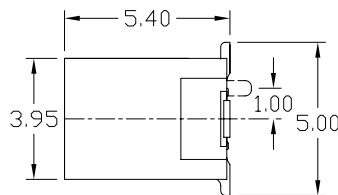
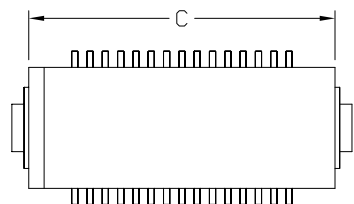
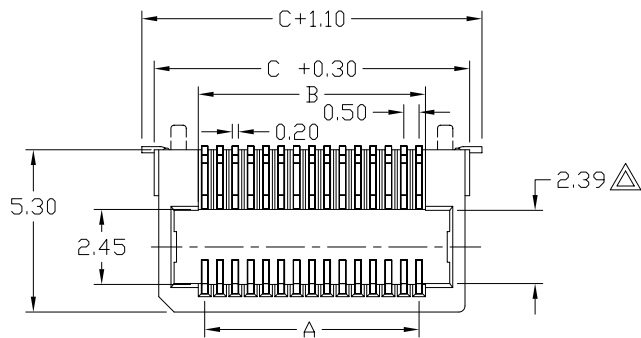
Contact Plating

Definition	Code
◎ Gold plated:	
flash B 15μ" F	
30μ" E	
◎ Standard: B	
◎ Prefix "V" means lead free plating.	

SPECIFICATIONS

Current Rating: 0.3 Amps
 Insulator resistance: 100 Megohms min.
 Contacts resistance: 60 m ohms max.
 Dielectric withstanding: AC 500V
 Operating Temperature: -40°~+85°C
 Contact Material: Copper alloy.
 Insulator Material: Temperature High Thermolplastic, UL 94V-0

Finish: Gold plated
 ◎ Standard: Gold flash all over



RECOMMEND P.C.B. LAYOUT (SCALE TOLERANCE ±0.05)

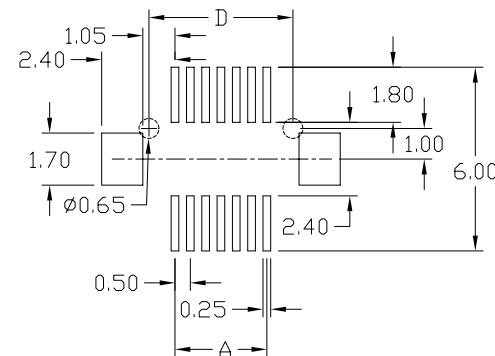


Diagram	Molding description
○	mass production & assemble mold
◎	sample & assemble mold
⊕	mass production & fix mold
⊕	sample & fix mold

Rev.	ECN Number	Description	Drawn	Date
2	DOC.9303048	設計變更	洪銀雯	11-03-04'
3	EC2-480053	新增 16 PIN 樣品	陳美竹	08/04/04'
4	ECR-5A0087	塑膠四膠加膠	馬花春 / 詹益東	11/07 05'



GENERAL TOLERANCE		SCALE 1=1	ORIGINAL DRAWN 洪銀雯	DATE 09-03-04'	DWG. NO. X-XX	TITLE 0.5mm Board To Board R/A Type (成品規格圖)	REV. 4
XX. ± 0.50	XXX. ±	UNIT MM	CHECK 林錫錦	DATE 11/07 05'	PARTS NO. ZVB-XXR2-X-X-*		SHEET 1/1
X. ± 0.30	.XXX ±		APPROVE 林錫錦	DATE 11/07 05'			
.X ± 0.25	X.° ± 4°		SIZE A4/X				
.XX ± 0.20	.X° ± 4°						