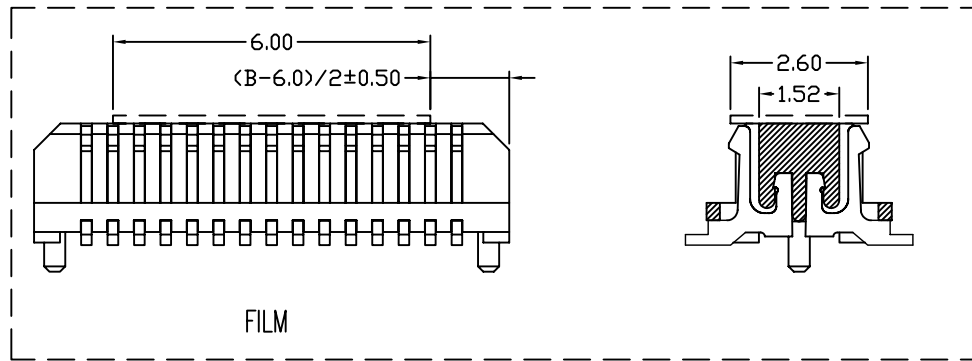
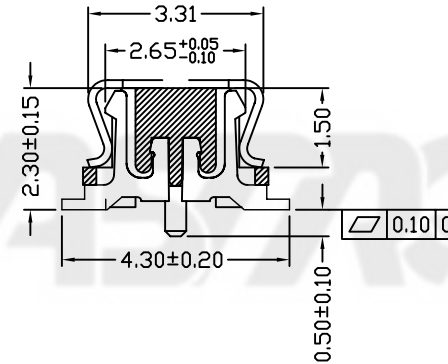
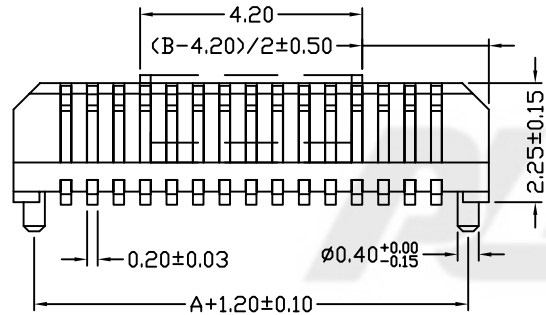
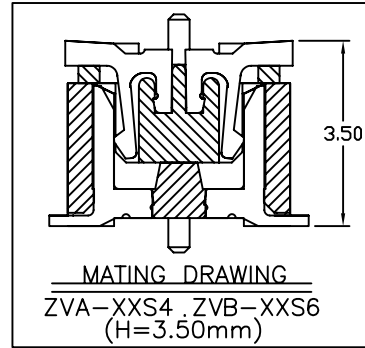
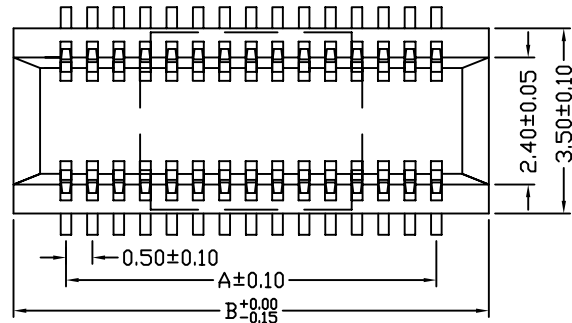


P/N	DIM A	DIM B
10	2.00	3.98
12	2.50	4.48
14	3.00	4.98
16	3.50	5.48
18	4.00	5.98
20	4.50	6.48
22	5.00	6.98
24	5.50	7.48
26	6.00	7.98
28	6.50	8.48
30	7.00	8.98
32	7.50	9.48
34	8.00	9.98
36	8.50	10.48
38	9.00	10.98
40	9.50	11.48
42	10.00	11.98
44	10.50	12.48
46	11.00	12.98
48	11.50	13.48
50	12.00	13.98
52	12.50	14.48
54	13.00	14.98
56	13.50	15.48
58	14.00	15.98
60	14.50	16.48
62	15.00	16.98
64	15.50	17.48
66	16.00	17.98
68	16.50	18.48
70	17.00	18.98
72	17.50	19.48
74	18.00	19.98
76	18.50	20.48
78	19.00	20.98
80	19.50	21.48
82	20.00	21.98
84	20.50	22.48



Rev.	ECN Number	Description	Drawn
15	CH11030088	ADD PACKING SPEC	XIHONG.LIU_02/28'11
16	CH11100103	ADD MATING DRAWING	XIHONG.LIU_10/21'11

NOTES: (UNLESS OTHERWISE SPECIFIED)

- CURRENT RATING: 0.5 AMPERE.
- CONTACT RESISTANCE: 60 m ohms MAX. FOR INITIAL.
- DIELECTRIC WITHSTANDING VOLTAGE: 500V AC rms. PER ONE MINUTE.
- INSULATION RESISTANCE: 100 M ohms MIN..
- HARMFUL MATERIAL SHOULD BE COMPLIANT TO DOC. "EI-0005" STANDARDS.
- PRODUCT NUMBER MATRIX:

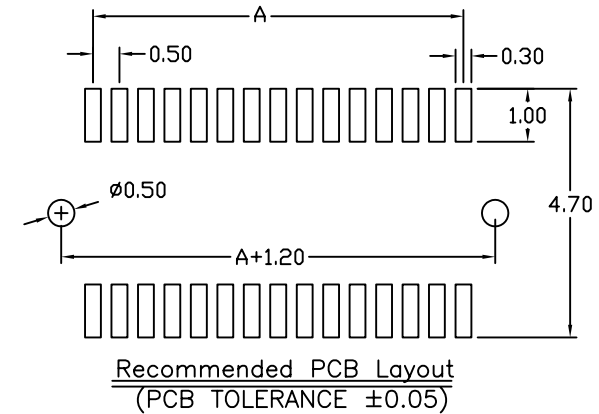
ZVA-XXS4-X-X-*

Number of Contacts: []
 Straight: []
 Contact Plating: []

NULL: TUBE
 K: REEL
 C: FILM+REEL
 F: FILM+TUBE
 E: MPAD+TUBE
 B: MPAD+REEL

0: W/O Locating peg
 1: With Locating peg

Definition	Code
◎ Tin plated:	A
◎ Gold plated:	
flash B	15μ" F
10μ" E	30μ" J



GENERAL TOLERANCE		SCALE	ORIGINAL DRAWN	DATE	DWG. NO.	TITLE	REV.
XX. ±	XXX. ±	N/A	林秋蘭	03/28/03'	600-0000-0679	CUSTOMER_DRAWING	16
X. ± 0.30	.XXX ±	UNIT	CHECK	DATE	PARTS NO.(INTENDED USE)		SHEET
.X ± 0.25	X.* ± 3°	MM	LANE SUN	DATE	ZVA-XXS4-X-X-* Series		1/4
.XX ± 0.20	.X* ± 2°	SIZE	APPROVE	10/21'11			