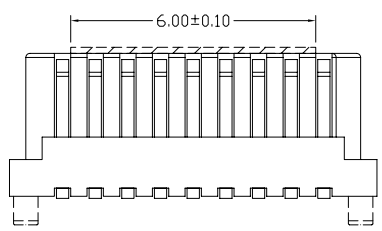
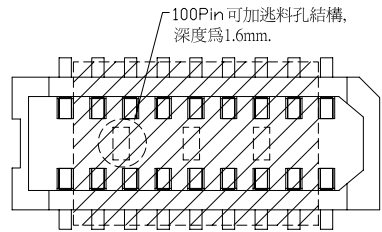
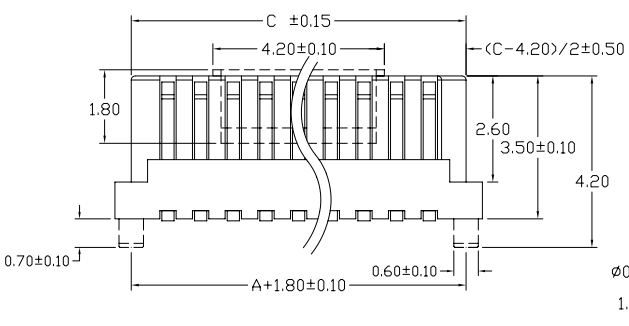
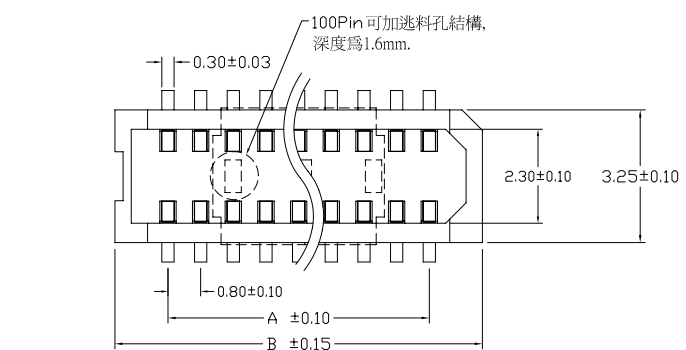


CIRCUITS	DIM A	DIM B	DIM C	REMARK (備註)	
				With peg	Without peg
8	2.40	4.95	3.95	⊕	
10	3.20	5.75	4.75	○	⊕
12	4.00	6.55	5.55	○	⊕
14	4.80	7.35	6.35	○	⊕
16	5.60	8.15	7.15	○	⊕
18	6.40	8.95	7.95	○	
20	7.20	9.75	8.75	○	⊕
22	8.00	10.55	9.55	○	⊕
24	8.80	11.35	10.35	○	⊕
26	9.60	12.15	11.15	○	⊕
28	10.40	12.95	11.95	○	⊕
30	11.20	13.75	12.75	○	⊕
32	12.00	14.55	13.55	⊕	
34	12.80	15.35	14.35	○	
36	13.60	16.15	15.15	○	⊕
40	15.20	17.75	16.75	○	⊕
42	16.00	18.55	17.55	○	⊕
44	16.80	19.35	18.35	○	⊕
50	19.20	21.75	20.75	○	⊕
60	23.20	25.75	24.75	⊕	
64	24.80	27.35	26.35	⊕	
70	27.20	29.75	28.75	○	⊕
80	31.20	33.75	32.75	○	
90	35.20	37.75	36.75	⊕	
100	39.20	41.75	40.75	○	○



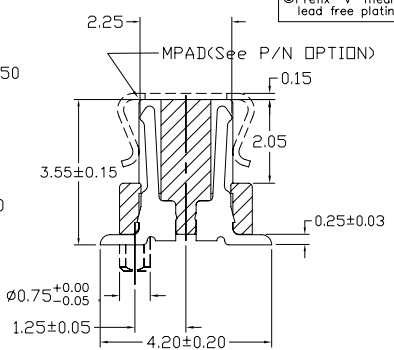
ZIW-XXS1-X-X-*

Number of Contacts (EX:100Contacts=A0)

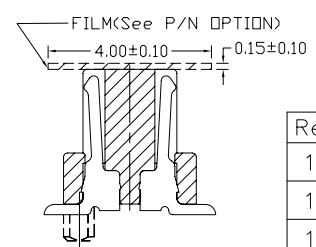
NULL: TUBE(W/O FILM or MPAD)
 K: REEL
 C: FILM+REEL
 F: FILM+TUBE
 B: MPAD+REEL
 E: MPAD+TUBE
 0: W/O Locating peg
 1: With Locating peg

Contact Plating

Definition	Code
⊕ Tin plated:	A
⊙ Gold plated:	
flash B 15μ" F	
10μ" E 30μ" J	
⊕ Duplex plating:	
flash K 15μ" P	
10μ" N 30μ" U	
⊙ Standard: B	
⊙ Prefix "V" means lead free plating.	



MPAD ▲



FILM

SPECIFICATIONS

Current Rating: 0.5 Amps
 Insulator resistance: 100 Megohms Min.
 Contact resistance: 40 m ohm Max.
 Dielectric withstanding: AC 500 V
 Operating Temperature: -40° ~ +105°C
 Contact Material: Phospher bronze
 Insulator Material: Thermoplastic High Temperature
 Color: Natural
 Finish: Gold all over nickel

Recommended PCB Layout (PCB TOLERANCE ±0.05)

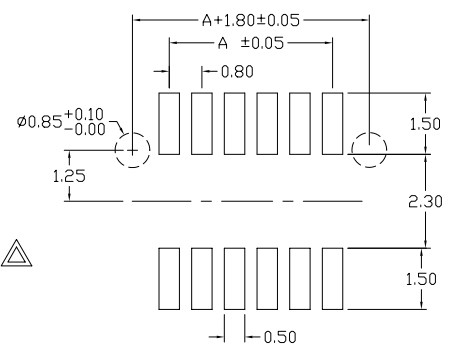


Diagram	Molding description
○	mass production & assemble mold
⊙	sample & assemble mold
⊕	mass production & fix mold
⊕	sample & fix mold

ALASTRON
 Plastron Precision Co., Ltd.
 樟翔精密股份有限公司

GENERAL TOLERANCE	
XX. ± 0.50	XXX. ±
X. ± 0.30	.XXX ±
.X ± 0.25	X. ± 4°
.XX ± 0.20	.X ± 4°

SCALE	1=1
UNIT	MM
SIZE	A4/4

ORIGINAL DRAWN	林秋蘭
CHECK	林錫錦
APPROVE	林錫錦

DATE	08/06/03'
DATE	11/04 05'
DATE	11/04 05'

Rev.	ECN Number	Description	Drawn	Date
17	ECR-560032	100Pin 塑膠加逃料孔, 對應成品圖面變更	李建勝	05/31'05
18	ECR-580007	端子頭部結構變更, 對應成品圖面變更	李建勝/詹益東	08/03/05'
19	ECR-5B0021	圖面修正	詹益東	11/04/05'

DWG. NO.	4-03
F:	\\DWG\CDWG\ZIW\ZIWMOC.DWG
PARTS NO.	ZIW-XXS1-X-X-*

TITLE 0.80mm Board To Board Plug Type (成品規格圖)

REV.	19
SHEET	1/1