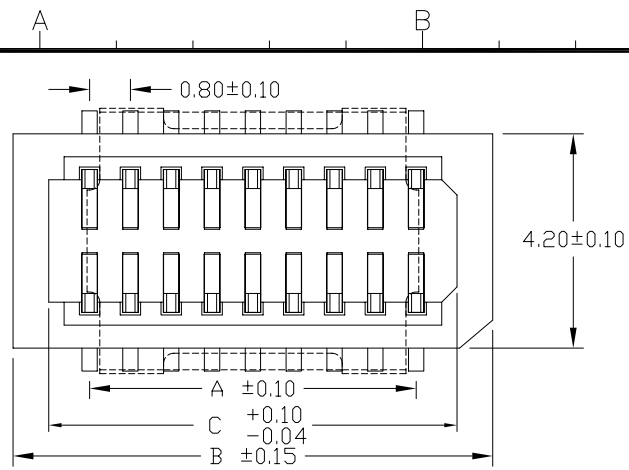


CIRCUITS	DIM A	DIM B	DIM C	REMARK
10	3.20	6.00	4.80	⊕
12	4.00	6.80	5.60	⊕
14	4.80	7.60	6.40	⊕
16	5.60	8.40	7.20	⊕
18	6.40	9.20	8.00	⊕
20	7.20	10.00	8.80	⊕
22	8.00	10.80	9.60	⊕
24	8.80	11.60	10.40	⊕
26	9.60	12.40	11.20	⊕
28	10.40	13.20	12.00	⊕
30	11.20	14.00	12.80	⊕
32	12.00	14.80	13.60	⊕
34	12.80	15.60	14.40	⊕
36	13.60	16.40	15.20	⊕
40	15.20	18.00	16.80	⊕
50	19.20	22.00	20.80	⊕
60	23.20	26.00	24.80	⊕
70	27.20	30.00	28.80	⊕
80	31.20	34.00	32.80	⊕
90	35.20	38.00	36.80	⊕
100	39.20	42.00	40.80	⊕



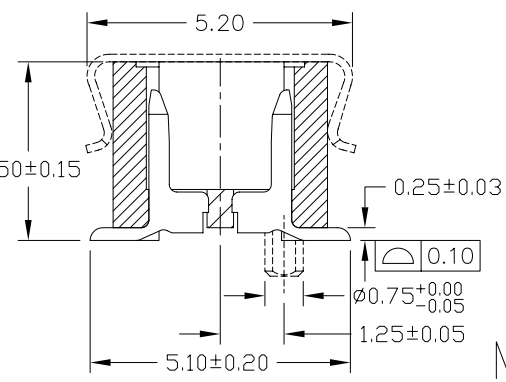
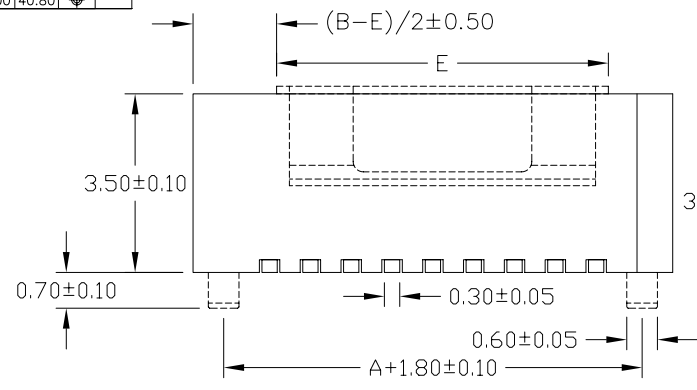
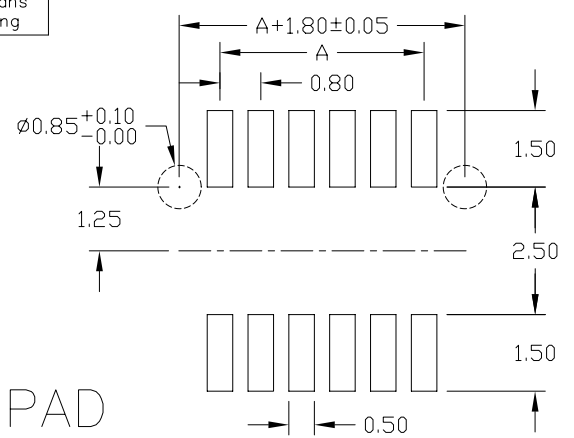
ZIV-XXS1-X-X-S01-*
 Number of Contacts Straight
 NULL: TUBE(W/O MPAD)
 B: MPAD+REEL
 E: MPAD+TUBE
 C: FILM+REEL
 K: REEL
 O: W/O Locating peg
 1: With Locating peg

Contact Plating

Definition	Code
⊙ Tin plated:	A
⊙ Gold plated:	
flash B	15μ" F
10μ" E	30μ" J
⊙Standard:	B
⊙Prefix "V" means lead free plating	

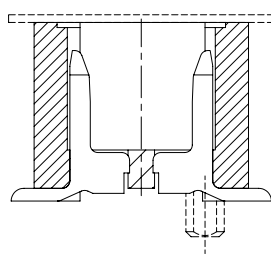
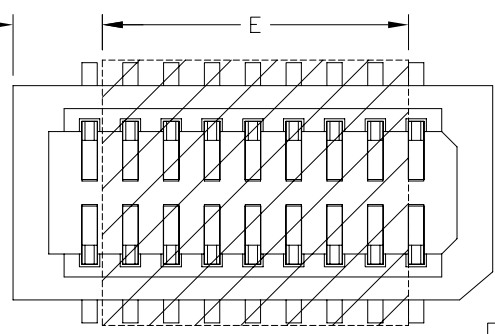
SPECIFICATIONS
 Current Rating: 0.5 Amps
 Insulator resistance: 100 Megohms Min.
 Contact resistance: 70 m ohm Max.
 Dielectric withstanding: AC 500 V
 Operating Temperature: -40° - +85°C
 Contact Material: Phosphor bronze
 Insulator Material: High Temperature Thermoplastic, UL 94V-0
 Color: Natural
 Finish: Gold all over nickel

Recommended PCB Layout
 (PCB TOLERANCE ±0.05)



MPAD

	E
FILM	6.0X5.2
MPAD	6.5X5.2



FILM

Diagram	Molding description
○	mass production & assemble mold
⊙	sample & assemble mold
⊕	mass production & fix mold
⊕	sample & fix mold

PLASTRON
 Plastron Precision Co., Ltd.
 樟翔精密股份有限公司

GENERAL TOLERANCE		SCALE	6=1	ORIGINAL DRAWN	林秋蘭	DATE	02'/07/02
XX. ± 0.50	XXX. ±	UNIT	MM	CHECK	林錫錦	DATE	11/01 05'
X. ± 0.30	.XXX ±	SIZE	A4	APPROVE	林錫錦	DATE	11/01 05'
.X ± 0.25	X.° ± 4°						
.XX ± 0.20	.X° ± 4°						

Rev.	ECN Number	Description	Drawn	Date
9	EC3-490013	依評估修改公差	陳美竹	03/23 05'
10	EC3-540014	新增 60PIN 有導量產	陳顯鑫	04/25 05'
11	EC3-5A0133	新增包裝代碼 K	詹益東	11/01 05'

DWG. NO.	X-XX	TITLE	REV.
F: \DWG\CDWG\ZIV\ZIVMOE.DWG		0.8mm Board To Board Socket (成品規格圖)	11
PARTS NO.	ZIV-XXS1-X-X-S01-*		SHEET 1/1