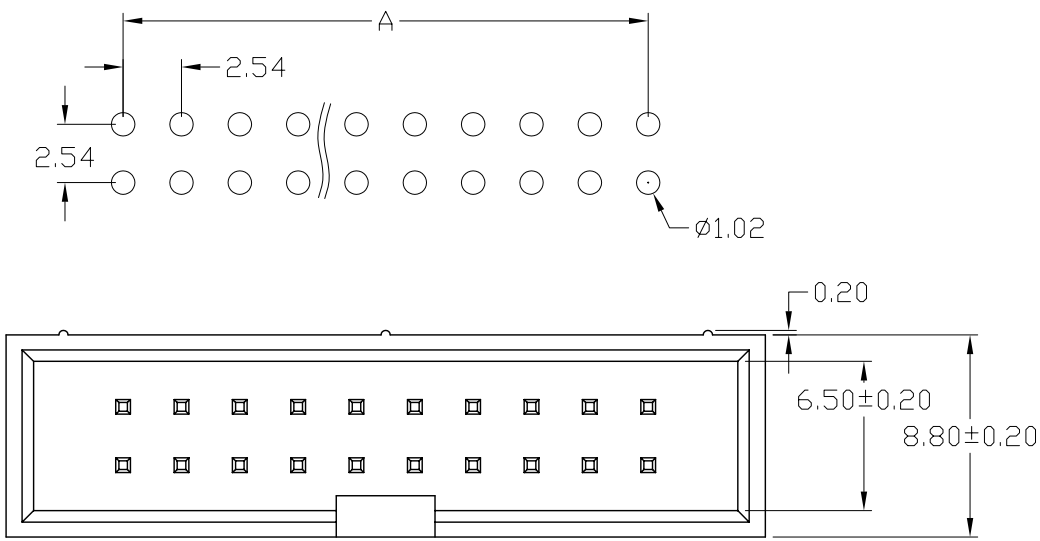


No. of Contacts	DIMENSIONS	
	A	B
6	5.08	15.27
8	7.62	17.81
10	10.16	20.35
14	15.24	25.43
16	17.78	27.97
20	22.86	33.05
24	27.94	38.13
26	30.48	40.67
30	35.56	45.75
34	40.64	50.83
40	48.26	58.45
44	53.34	63.53
48	58.42	68.61
50	60.96	71.15
60	73.66	83.85
64	78.74	88.93

Recommended PCB Layout
(PCB TOLERANCE ±0.05)



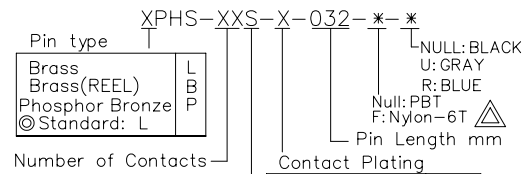
SPECIFICATIONS

Current Rating: 3 Amps
 Insulator resistance: 5000 Megohms Min.
 Dielectric withstanding: AC 1000 V
 Operating Temperature: -40° - +105°C
 Contact Material: Copper alloy
 Insulator Material: SEE P/N

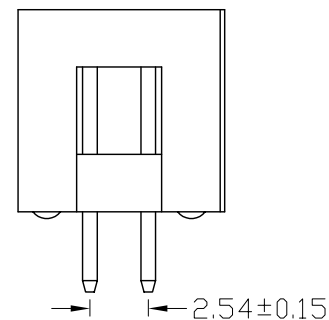
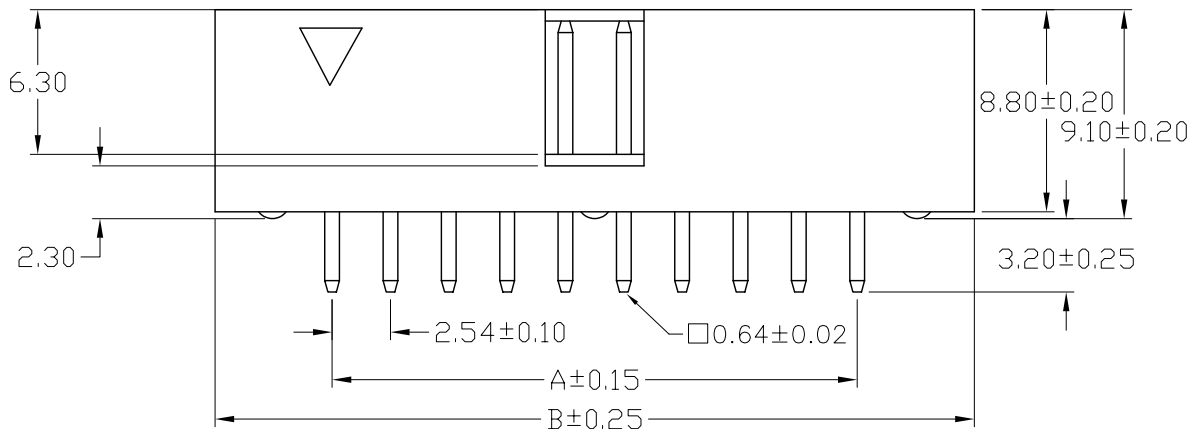
Finish: Tin, Gold or Duplex plated

◎ Note:

Duplex plating: gold plated on contact area,
Tin on solder area



Definition	Code
◎ Tin plated:	A
◎ Gold plated:	
flash B	15μ" F
10μ" E	30μ" J
◎ Duplex plating:	
flash K	15μ" P
10μ" N	30μ" U
◎ Standard:	B
◎ Prefix "V" means	lead free plating



Rev.	ECN Number	Description	Drawn	Date
2	DOC9301085	料號新增顏色說明	陳美竹	09-01-04'
3	EC2-4C0562	新增無鉛電鍍碼	洪銀雯	12/21 04'
4	EC2-550232	新增材質說明	陳美竹	05/20 05'



GENERAL TOLERANCE		SCALE	1=1	ORIGINAL DRAWN	DATE
XX. ± 0.50	XXX. ±	UNIT	MM	邱若婷	03/07/03
X. ± 0.30	.XXX ±	SIZE	A4/3	林錫錦	05/20 05'
.X ± 0.25	X. ± 4°	APPROVE		林錫錦	05/20 05'
.XX ± 0.20	.X ± 4°				

DWG. NO.	3-24	TITLE	REV.
F: \DWG\CDWG\PHS\PHSS0A.DWG		2.54X2.54mm BOX HEADER (成品規格圖)	4
PARTS NO.	XPHS-XXS-X-032-*-*		SHEET 1/1