

No. of Contacts	DIMENSIONS		REMARK (備註)
	A	B	
6	5.08	15.27	○
8	7.62	17.81	○
10	10.16	20.35	○
12	12.70	22.89	○
14	15.24	25.43	○
16	17.78	27.97	○
20	22.86	33.05	○
24	27.94	38.13	○
26	30.48	40.67	○
30	35.56	45.75	○
34	40.64	50.83	○
40	48.26	58.45	○
44	53.34	63.53	○
48	58.42	68.61	○
50	60.96	71.15	○
60	73.66	83.85	○
64	78.74	88.93	○

Pin type XPHS-XXR-X-032-\*  
 Null:P.B.T  
 F:Nylon-6T

Brass	L
Brass(reel)	B
Phosphor Bronze	P
◎Standard: L	

Number of Contacts  
 Right Angle

Contact Plating

Definition	Code
◎ Tin plated:	A
◎ Gold plated:	
flash B 15μ"	F
10μ" E 30μ"	J
◎ Duplex plating:	
flash K 15μ"	P
10μ" N 30μ"	U
◎Standard: B	
◎ Prefix "V" means lead free plating.	

SPECIFICATIONS

Current Rating: 3 Amps  
 Insulator resistance: 5000 Megohms min.  
 Dielectric withstanding: AC 500 V  
 Operating Temperature: -40~+105°C  
 Contact Material: Copper alloy  
 Insulator Material: Polyester,UL 94V-0  
 Thermoplastic,UL 94V-0  
 Color : Black

Finish: Tin,Gold or Duplex plated  
 ◎Standard: Gold flash all over  
 ◎Note:  
 Duplex plating: gold plated on contact area,  
 Tin on solder area

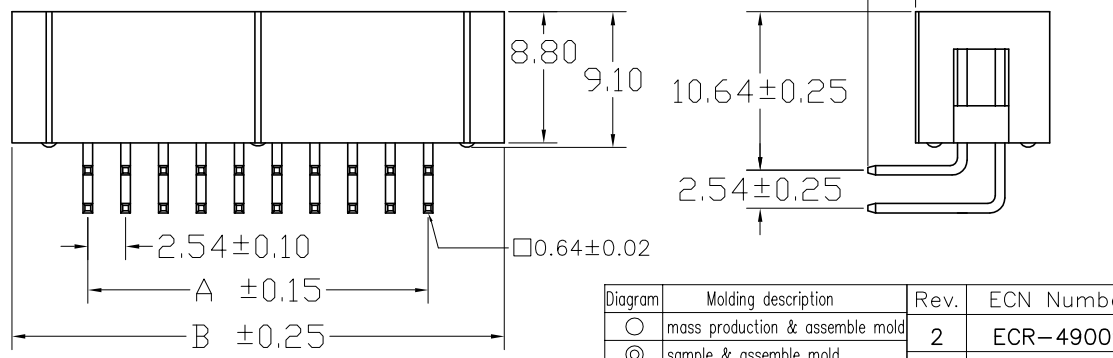
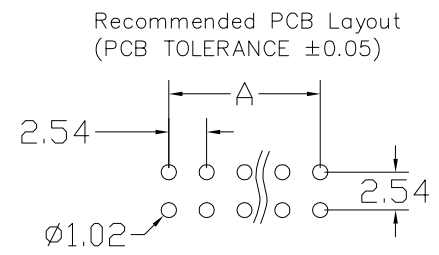
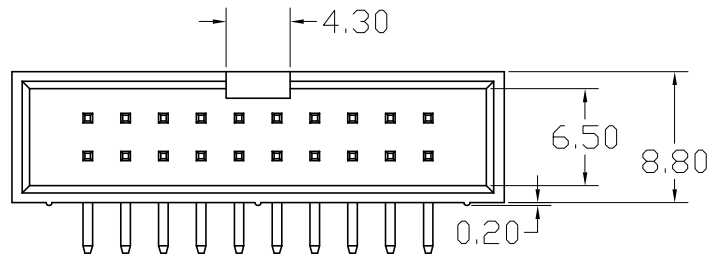


Diagram	Molding description	Rev.	ECN Number	Description	Drawn	Date
○	mass production & assemble mold	2	ECR-490091	圖面新增12PIN	邱若婷	09/22 04'
◎	sample & assemble mold	3	EC2-530540	新增無鉛電鍍	陳美竹	03/21 05'
⊕	mass production & fix mold	4	EC2-550037	新增材質選項	陳美竹	05/04 05'
⊗	sample & fix mold					



GENERAL TOLERANCE		SCALE 3=1	ORIGINAL DRAWN 王佩云	DATE 21/11 02'	DWG. NO. X-XX	TITLE	REV. 4
XX. ± 0.50	XXX. ±	UNIT MM	CHECK 江坤容	DATE 05/04 05'	F:\DWG\CDWG\PHS\PHSROA.DWG	2.54X2.54mm BOX HEADER SHMT TYPE (成品規格圖)	SHEET
X. ± 0.30	.XXX ±	SIZE A4	APPROVE 林錫錦	DATE 05/04 05'	PARTS NO. XPHS-XXR-X-032-*		1/1
.X ± 0.25	X. ± 4'						
.XX ± 0.20	.X. ± 4'						