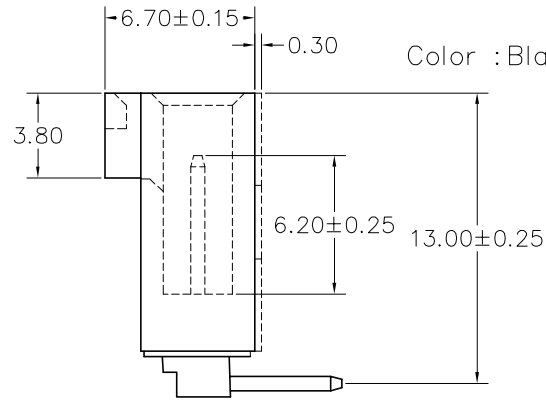
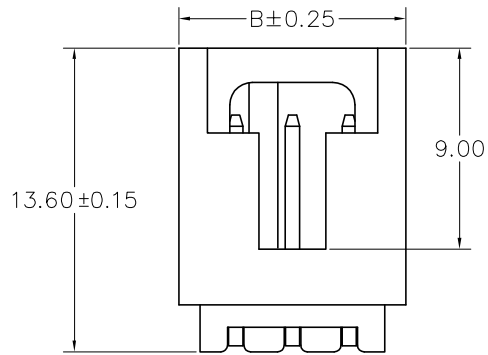
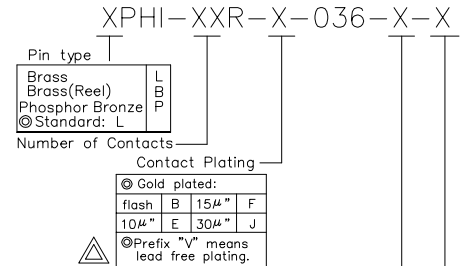
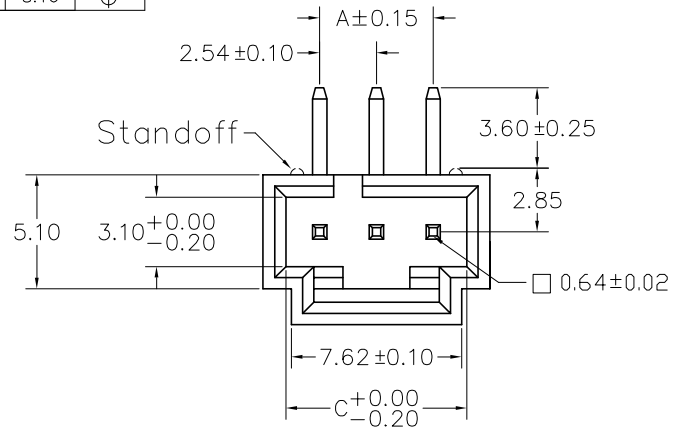


No. of Contacts	DIMENSIONS			REMARK
	A	B	C	
2	2.54	7.62	5.62	⊕
3	5.08	10.16	8.16	⊕

SPECIFICATIONS

Current Rating: 3 Amps
 Insulator resistance: 5000 Megohms Min.
 Dielectric withstanding: AC 500 V
 Operating Temperature: -40° - +105°C
 Contact Material: Copper alloy
 Insulator Material: Thermoplastic,UL 94V-0(PBT)
 Color : Black

Finish: Gold plated
 ◎ Standard: Gold flash all over



Color : Black(A), Green(B), Yellow(C), White(D)

MARK	Material	Standoff
E	W/O P.B.T	With
F	W/O Nylon-6T	With
G	W/O P.B.T	W/O
H	W/O Nylon-6T	W/O

Diagram	Molding description
○	mass production & assemble mold
◎	sample & assemble mold
⊕	mass production & fix mold
⊕	sample & fix mold

Rev.	ECN Number	Description	Drawn	Date
2	EC2-4C0166	Prefix "V" means lead free plating.	Juno.Chen	12/08 04'



GENERAL TOLERANCE		SCALE
XX. ± 0.50	XXX. ±	1=1
X. ± 0.30	.XXX ±	UNIT
.X ± 0.25	X.* ± 4*	MM
.XX ± 0.20	.X.* ± 4*	SIZE

ORIGINAL DRAWN	DATE
Lisa.Lin	10/25 00'
Eva.Jung	12/08 04'
Llyndon.Lin	12/08 04'

CHECK	DATE
Eva.Jung	12/08 04'
Llyndon.Lin	12/08 04'

DWG. NO.	TITLE
X-XX	2.54mm SHROUDED HEADER
F: \DWG\CDWG\PHI\PHI0A.DWG	
PARTS NO.	
XPHI-XXR-X-036-X-X	

REV.	SHEET
2	1/1