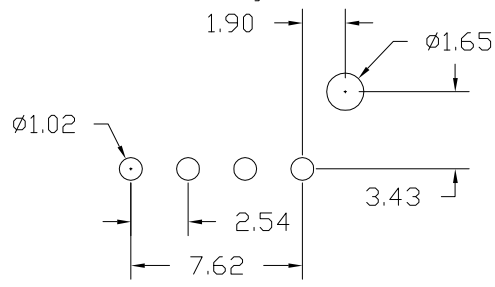
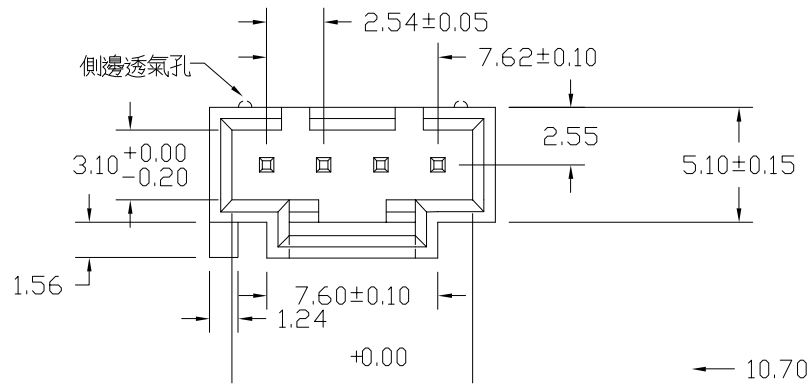


Recommended P.C.Board Hole Layout

SPECIFICATIONS

Current Rating: 3 Amps
 Insulator resistance: 5000 Megohms min.
 Dielectric withstanding: AC 500 V
 Operating Temperature: -40°~+105°C
 Contact Material: Copper alloy
 Insulator Material: Polyester, UL 94V-0
 ◎Standard: P.B.T
 Finish: Gold plated
 ◎Standard: Gold flash all over



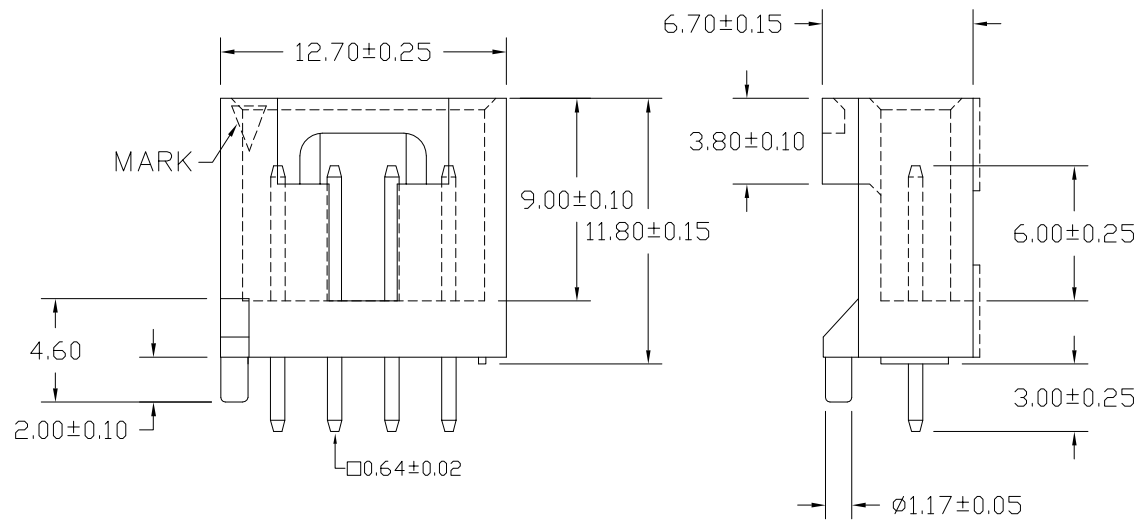
XPHIA-04S-X-030-X-X

Contact Plating

Definition	Code	
◎ Tin plated:	A	
◎ Gold plated:		
flash	B	15μ"
	E	30μ"
◎Standard:	B	
◎Prefix "V" means lead free plating.		

	MARK	材質	側邊透氣孔
A	有	P.B.T	有
B	有	Nylon-6T	有
C	有	P.B.T	無
D	有	Nylon-6T	無
E	無	P.B.T	有
F	無	Nylon-6T	有
G	無	P.B.T	無
H	無	Nylon-6T	無

顏色：黑(A), 綠(B), 黃(C), 白(D)



Rev.	ECN Number	Description	Drawn	Date
2	EC2-570098	新增電鍍碼說明	詹益東	07/15/05'



GENERAL TOLERANCE	
XX. ±	XXX. ±
X. ± 0.20	.XXX ±
.X ± 0.10	X.° ±
.XX ± 0.05	.X' ±

SCALE	3=1
UNIT	MM
SIZE	A4

DRAWN	林秋蘭	DATE	25-10-00'
CHECK	林錫錦	DATE	07/15/05'
APPROVE	林錫錦	DATE	07/15/05'

DWG. NO.	F:\DWG\CDWG\PHIA\PHIASOA.DWG
PARTS NO.	XPHIA-04S-X-030-X-X

TITLE	成品規格圖
-------	-------

REV.	2
SHEET	1/2