

No. of Contacts	DIMENSIONS		REMARK (備註)
	A	B	
2	2.54	5.88	○
3	5.08	8.42	○
4	7.62	10.96	○
5	10.16	13.50	○
6	12.70	16.04	○
7	15.24	18.58	○
8	17.78	21.12	○
9	20.32	23.66	○
10	22.86	26.20	○
11	25.40	28.74	○
12	27.94	31.28	○
13	30.48	33.82	○
14	33.02	36.36	○
15	35.56	38.90	○
16	38.10	41.44	○
17	40.64	43.98	○
18	43.18	46.52	○
19	45.72	49.06	○
20	48.26	51.60	○
21	50.80	54.14	○
22	53.34	56.68	○
23	55.88	59.22	○
24	58.42	61.76	○
25	60.96	64.30	○
26	63.50	66.84	○
27	66.04	69.38	○
28	68.58	71.92	○
29	71.12	74.46	○
30	73.66	77.00	○
31	76.20	79.54	○
32	78.74	82.08	○
33	81.28	84.62	○
34	83.82	87.16	○
35	86.36	89.70	○
36	88.90	92.24	○
37	91.44	94.78	○
38	93.98	97.32	○
39	96.52	99.86	○
40	99.06	102.40	○

PWFY-XXR-X-025

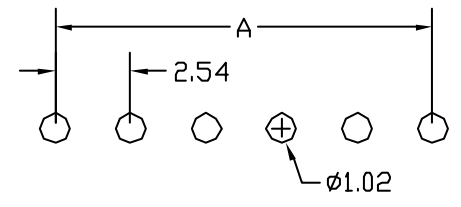
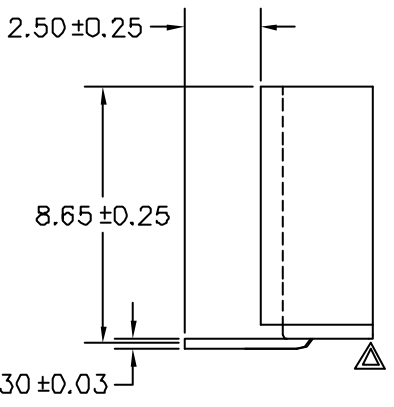
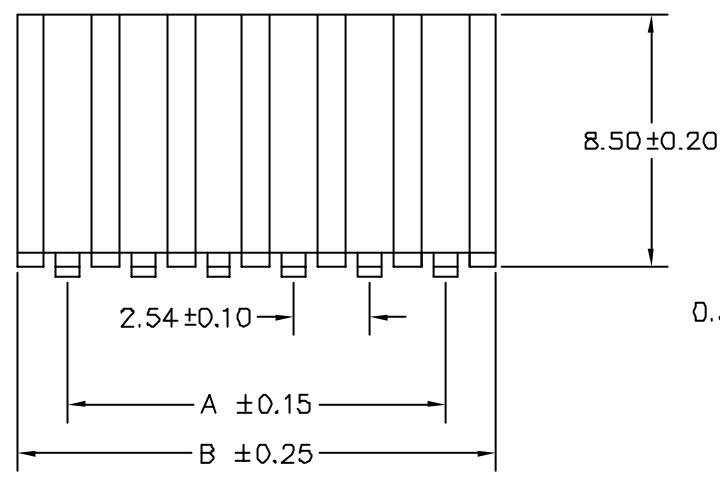
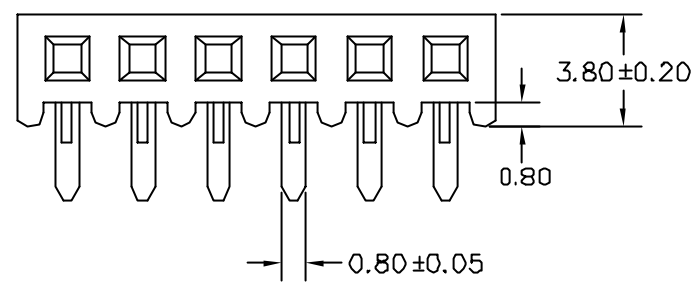
Number of Contacts  
Right Angle

Contact Plating

Definition	Code
① Tin plated:	A
② Gold plated:	
flash B 15μ"	F
10μ" E 30μ"	J
③ Duplex plating:	
flash K 15μ"	P
10μ" N 30μ"	U
④ Standard: K	
⑤ Prefix "V" means lead free plating.	

SPECIFICATIONS

Current Rating: 3 Amps  
 Insulator resistance: 5000 Megohms Min.  
 Contact resistance: 20 m ohm Max.  
 Dielectric withstanding: AC 500 V  
 Operating Temperature: -40' - +105°C  
 Contact Material: Phosphor bronze  
 Insulator Material: Thermoplastic, UL 94V-0(PBT)  
 Color: Black  
 Finish: Tin, Gold or Duplex plated  
 Note: Duplex plating: gold plated on contact area, Tin on solder area



Rev.	ECN Number	Description	Drawn	Date
2	EC2-4C0397	新增 2 PIN	陳美竹	12/16 04'
3	ECR-550014	塑膠變更以符合實際	陳朝鑫	05/06 05'



GENERAL TOLERANCE		SCALE
XX. ± 0.50	XXX. ±	1=1
X. ± 0.30	.XXX ±	UNIT MM
.X ± 0.25	.X. ± 4°	SIZE A4/X
.XX ± 0.20	.X. ± 4°	

ORIGINAL DRAWN	DATE
邱若婷	08/16 02'
CHECK	DATE
林錫錦	05/10 05'
APPROVE	DATE
林錫錦	05/10 05'

DWG. NO.	TITLE	REV.
X-XX	2.54mm SOCKET (成品規格圖)	3
F: \DWG\CDWG\PWF\PWFYR0A.DWG		SHEET 1/1
PARTS NO. PWFY-XXR-X-025		