


PRFY-XX-X-B

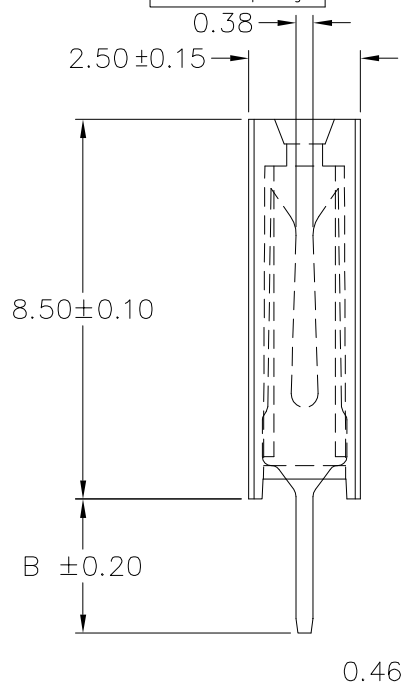
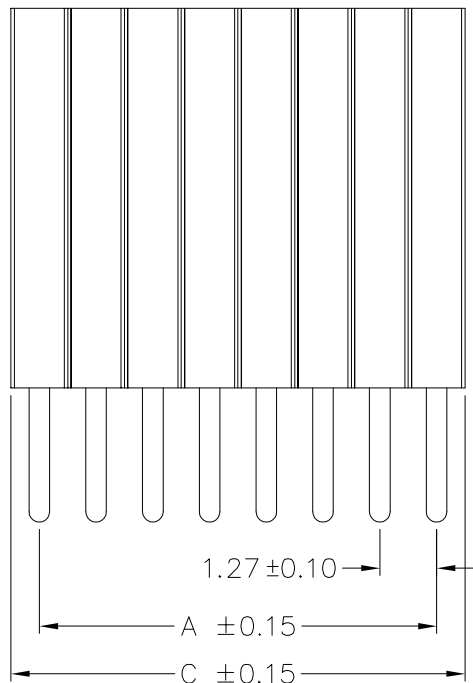
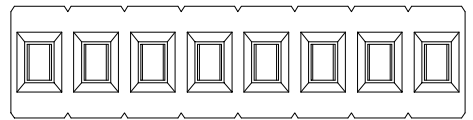
Number of Contacts | Contact Plating

Definition	Code
◎ Tin plated:	A
◎ Gold plated:	
flash B 15μ"	F
10μ" E 30μ"	J
◎ Duplex plating:	
flash K 15μ"	P
10μ" N 30μ"	U
◎ Standard:	B
◎ Prefix "V" means lead free plating.	

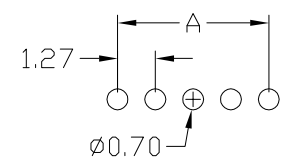
SPECIFICATIONS

Current Rating: 1 Amp
 Insulator resistance: 5000 Megohms min.
 Contact resistance: 20 m ohm Max.
 Dielectric withstanding: AC 500 V
 Operating Temperature: -40° - +105°C
 Contact Material: phosphor bronze 
 Insulator Material: High Temperature Thermoplastic, UL 94V-0(Nylon-6T)
 Color : Black
 Finish: Tin, Gold or Duplex plated
 ◎ Standard: Gold flash all over
 ◎ Note: Duplex plating: gold plated on contact area, Tin on solder area

No. of Contacts	DIMENSIONS		REMARK (備註)
	A	C	
2	1.27	2.54	○
3	2.54	3.81	○
4	3.81	5.08	○
5	5.08	6.35	○
6	6.35	7.62	○
7	7.62	8.89	○
8	8.89	10.16	○
9	10.16	11.43	○
10	11.43	12.70	○
11	12.70	13.97	○
12	13.97	15.24	○
13	15.24	16.51	○
14	16.51	17.78	○
15	17.78	19.05	○
16	19.05	20.32	○
17	20.32	21.59	○
18	21.59	22.86	○
19	22.86	24.13	○
20	24.13	25.40	○
21	25.40	26.67	○
22	26.67	27.94	○
23	27.94	29.21	○
24	29.21	30.48	○
25	30.48	31.75	○
26	31.75	33.02	○
27	33.02	34.29	○
28	34.29	35.56	○
29	35.56	36.83	○
30	36.83	38.10	○
31	38.10	39.37	○
32	39.37	40.64	○
33	40.64	41.91	○
34	41.91	43.18	○
35	43.18	44.45	○
36	44.45	45.72	○



Recommended PCB Layout
(PCB TOLERANCE ±0.05)



B	2.70	3.00
---	------	------

Diagram	Molding description	Rev.	ECN Number	Description	Drawn	Date
○	mass production & assemble mold	2	EC2-4A0149	新增 2 PIN	陳美竹	10/11 04'
◎	sample & assemble mold	3	EC2-520044	新增無鉛電鍍碼	洪銀雯	02/03 05'
⊕	mass production & fix mold	4	EC2-580252	修改規格說明	詹益東	08/31 05'
⊗	sample & fix mold					



GENERAL TOLERANCE		SCALE	6=1	ORIGINAL DRAWN	DATE	12/21 01'
XX. ± 0.50	XXX. ±	UNIT	MM	CHECK	江坤容	DATE
X. ± 0.30	.XXX ±					
.X ± 0.25	X.* ± 4°	SIZE	A4	APPROVE	林錫錦	DATE
.XX ± 0.20	.X.* ± 4°				林錫錦	08/31 05'

DWG. NO.	IX-XX	TITLE	REV.
F:\DWG\CDWG\PRF\PRFYSOC.DWG		1.27mm SOCKET	4
PARTS NO.	PRFY-XX-X-B	(成品規格圖)	SHEET
			1/1