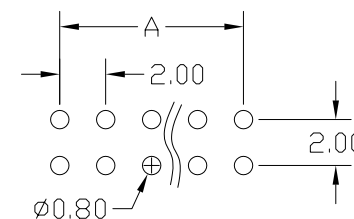


SPECIFICATIONS

Current Rating: 1 Amp
 Insulator resistance: 5000 Megohms min.
 Contact resistance: 20 m ohms max.
 Dielectric withstanding: AC 500 V
 Operating Temperature: -40°~+105°C
 Contact Material: Phosphor Bronze.
 Insulator Material: High Temperature Thermoplastic,UL 94V-0
 Color : Black

Finish: Tin,Gold or Duplex plated
 ◎Standard: Duplex plated
 ◎Note: Duplex plating: gold plated on contact area, Tin on solder area
 ◎Harmful material should be compliant to Doc"El-0005"Standards.

Recommended PCB Layout
 (PCB TOLERANCE ±0.05)

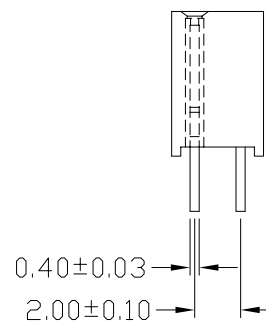
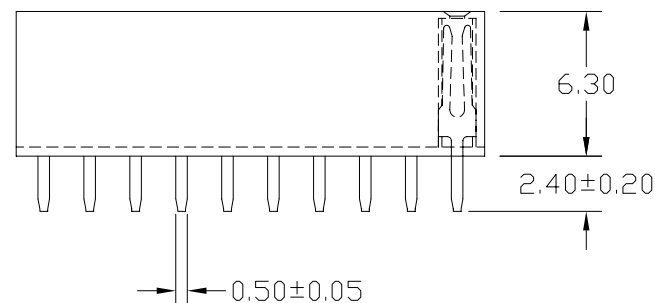
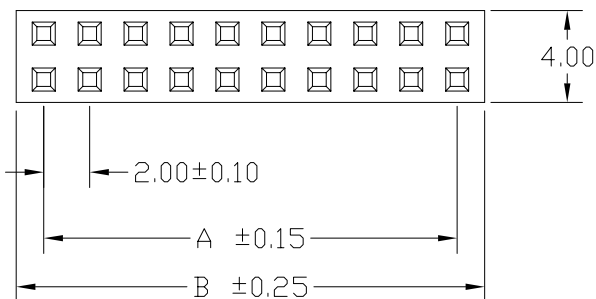


| Definition | Code |
|--------------------------------------|------|
| ◎ Tin plated: | A |
| ◎ Gold plated: | |
| flash B 15μ" | F |
| 10μ" E 30μ" | J |
| ◎Duplex plating: | |
| flash K 15μ" | P |
| 10μ" N 30μ" | U |
| ◎Standard: K | |
| ◎Prefix "V" means lead free plating. | |

PQFZ-XXS-X-024

Number of Contacts

Contact Plating



| Diagram | Molding description | Rev. | ECN Number | Description | Drawn | Date |
|---------|---------------------------------|------|------------|-------------|-------|-----------|
| ○ | mass production & assemble mold | 2 | EC2-4A0176 | 圖面新增環保電鍍碼 | 邱若婷 | 10/12 04' |
| ◎ | sample & assemble mold | 3 | EC3-630126 | 修改規格說明 | 詹益東 | 03/30 06' |
| ⊕ | mass production & fix mold | | | | | |
| ⊗ | sample & fix mold | | | | | |

| No. of Contacts | DIMENSIONS | | REMARK (備註) |
|-----------------|------------|-------|-------------|
| | A | B | |
| 04 | 2.00 | 4.40 | ○ |
| 06 | 4.00 | 6.40 | ○ |
| 08 | 6.00 | 8.40 | ○ |
| 10 | 8.00 | 10.40 | ○ |
| 12 | 10.00 | 12.40 | ○ |
| 14 | 12.00 | 14.40 | ○ |
| 16 | 14.00 | 16.40 | ○ |
| 18 | 16.00 | 18.40 | ○ |
| 20 | 18.00 | 20.40 | ○ |
| 22 | 20.00 | 22.40 | ○ |
| 24 | 22.00 | 24.40 | ○ |
| 26 | 24.00 | 26.40 | ○ |
| 28 | 26.00 | 28.40 | ○ |
| 30 | 28.00 | 30.40 | ○ |
| 32 | 30.00 | 32.40 | ○ |
| 34 | 32.00 | 34.40 | ○ |
| 36 | 34.00 | 36.40 | ○ |
| 38 | 36.00 | 38.40 | ○ |
| 40 | 38.00 | 40.40 | ○ |
| 42 | 40.00 | 42.40 | ○ |
| 44 | 42.00 | 44.40 | ○ |
| 46 | 44.00 | 46.40 | ○ |
| 48 | 46.00 | 48.40 | ○ |
| 50 | 48.00 | 50.40 | ○ |
| 52 | 50.00 | 52.40 | ○ |
| 54 | 52.00 | 54.40 | ○ |
| 56 | 54.00 | 56.40 | ○ |
| 58 | 56.00 | 58.40 | ○ |
| 60 | 58.00 | 60.40 | ○ |
| 62 | 60.00 | 62.40 | ○ |
| 64 | 62.00 | 64.40 | ○ |
| 66 | 64.00 | 66.40 | ○ |
| 68 | 66.00 | 68.40 | ○ |
| 70 | 68.00 | 70.40 | ○ |
| 72 | 70.00 | 72.40 | ○ |
| 74 | 72.00 | 74.40 | ○ |
| 76 | 74.00 | 76.40 | ○ |
| 78 | 76.00 | 78.40 | ○ |
| 80 | 78.00 | 80.40 | ○ |



| | | | | | | | |
|-------------------|----------|-----------|--------------------|----------------|----------------------------|--------------------------------|-----------|
| GENERAL TOLERANCE | | SCALE ?=1 | ORIGINAL DRAWN 江坤容 | DATE 24-06-02' | DWG. NO. X-XX | TITLE 2.0X2.0mm SOCKET (成品規格圖) | REV. 3 |
| XX. ± 0.50 | XXX. ± | UNIT MM | CHECK 林錫錦 | DATE 03/30 06' | F:\DWG\CDWG\PQF\PQFZ0A.DWG | | SHEET 1/1 |
| X. ± 0.30 | .XXX ± | SIZE A4 | APPROVE 林錫錦 | DATE 03/30 06' | PQFZ-XXS-X-024 | | |
| .X ± 0.25 | X.° ± 4° | | | | | | |
| .XX ± 0.20 | .X° ± 4° | | | | | | |