

No. of Contacts	DIMENSIONS		REMARK (備註)
	A	B	
4	1.27	2.54	o
6	2.54	3.81	o
8	3.81	5.08	o
10	5.08	6.35	o
12	6.35	7.62	o
14	7.62	8.89	o
16	8.89	10.16	o
18	10.16	11.43	o
20	11.43	12.70	o
22	12.70	13.97	o
24	13.97	15.24	o
26	15.24	16.51	o
28	16.51	17.78	o
30	17.78	19.05	o
32	19.05	20.32	o
34	20.32	21.59	o
36	21.59	22.86	o
38	22.86	24.13	o
40	24.13	25.40	o
42	25.40	26.67	o
44	26.67	27.94	o
46	27.94	29.21	o
48	29.21	30.48	o
50	30.48	31.75	o
52	31.75	33.02	o
54	33.02	34.29	o
56	34.29	35.56	o
58	35.56	36.83	o
60	36.83	38.10	o
62	38.10	39.37	o
64	39.37	40.64	o
66	40.64	41.91	o
68	41.91	43.18	o
70	43.18	44.45	o
72	44.45	45.72	o
74	45.72	46.99	o
76	46.99	48.26	o
78	48.26	49.53	o
80	49.53	50.80	o
82	50.80	52.07	o
84	52.07	53.34	o
86	53.34	54.61	o
88	54.61	55.88	o
90	55.88	57.15	o
92	57.15	58.42	o
94	58.42	59.69	o
96	59.69	60.96	o
98	60.96	62.23	o
100	62.23	63.50	o

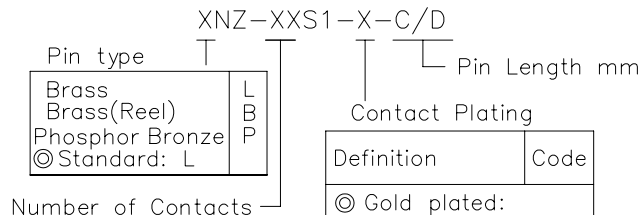
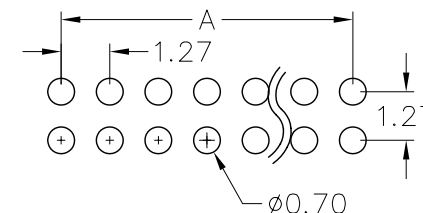
SPECIFICATIONS

Current Rating: 1 Amp
 Insulator resistance: 5000 Megohms min.
 Dielectric withstanding: AC 500 V
 Operating Temperature: -40~+105°C
 Contact Material: Copper alloy
 Insulator Material: High Temperature Thermoplastic, UL 94V-0
 Color : Black

Finish: Gold plated
 ◎Standard: Gold flash all over

◎For illustration purpose the XNZ-XXS1-X-035/015 was shown

Recommended PCB Layout
 (PCB TOLERANCE ±0.05)



Definition	Code
◎ Gold plated:	
flash	B 15μ" F
10μ"	E 30μ" J
◎ Standard: B	
◎ Prefix "V" means lead free plating	

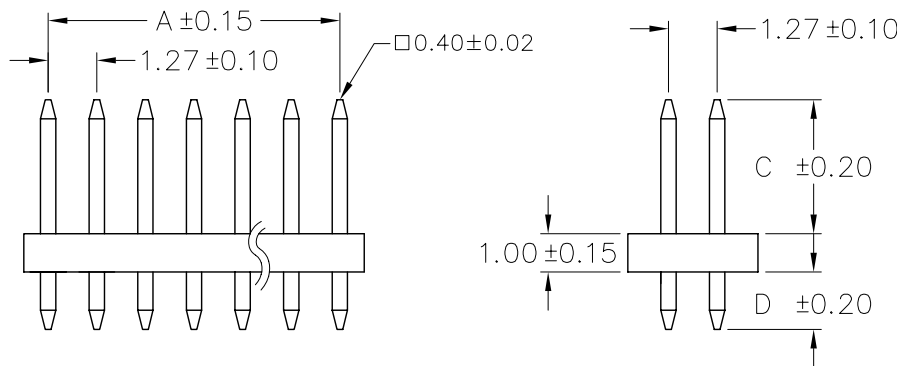
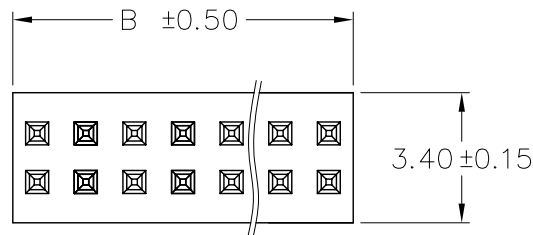


Diagram	Molding description
○	mass production & assemble mold
◎	sample & assemble mold
⊕	mass production & fix mold
⊕	sample & fix mold

Rev.	ECN Number	Description	Drawn	Date
6	EC2-540607	新增規格XNZ-XXS1-X-030/020	陳顯鑫	04/26 05'
7	ECR-530004	新增規格	陳顯鑫	05/17 05'
8	EC2-570072	修正規格說明	詹益東	07/14 05'



GENERAL TOLERANCE		SCALE	ORIGINAL DRAWN	DATE	DWG. NO.	TITLE	REV.
XX. ± 0.50	XXX. ±	1=1	洪銀雯	09/09/04'	1-03	1.27x1.27mm HEADER	8
X. ± 0.30	.XXX ±	UNIT	林錫錦	DATE	K:\NEW\CDWG\NZ\PNZ2E.DWG	(成品規格圖)	SHEET
.X ± 0.25	X.° ± 4°	MM	林錫錦	07/14 05'	PARTS NO.		1/2
.XX ± 0.20	.X° ± 4°	SIZE	林錫錦	07/14 05'	XNZ-XXS1-X-C/D		