

No. of Contacts	DIMENSIONS		REMARK (備註)
	A	B	
4	2.54	5.58	○
6	5.08	8.12	○
8	7.62	10.66	○
10	10.16	13.20	○
12	12.70	15.74	○
14	15.24	18.28	○
16	17.78	20.82	○
18	20.32	23.36	○
20	22.86	25.90	○
22	25.40	28.44	○
24	27.94	30.98	○
26	30.48	33.52	○
28	33.02	36.06	○
30	35.56	38.60	○
32	38.10	41.14	○
34	40.64	43.68	○
36	43.18	46.22	○
38	45.72	48.76	○
40	48.26	51.30	○
42	50.80	53.84	○
44	53.34	56.38	○
46	55.88	58.92	○
48	58.42	61.46	○
50	60.96	64.00	○
52	63.50	66.54	○
54	66.04	69.08	○
56	68.58	71.62	○
58	71.12	74.16	○
60	73.66	76.70	○
62	76.20	79.24	○
64	78.74	81.78	○
66	81.28	84.32	○
68	83.82	86.86	○
70	86.36	89.40	○
72	88.90	91.94	○
74	91.44	94.48	○
76	93.98	97.02	○
78	96.52	99.56	○
80	99.06	102.10	○

Diagram	Molding description
○	mass production & assemble mold
⊙	sample & assemble mold
⊕	mass production & fix mold
⊗	sample & fix mold

PHFZ-XXS-X-C-*-*
 Number of Contacts: Straight
 Contact Plating:
 NULL: TRAY
 G: TUBE
 NULL: Thermoplastic (P.B.T)
 F: High Temperature Thermoplastic (Nylon-6T)
 Max Processing temperature 230°C for 30 ~ 60 seconds

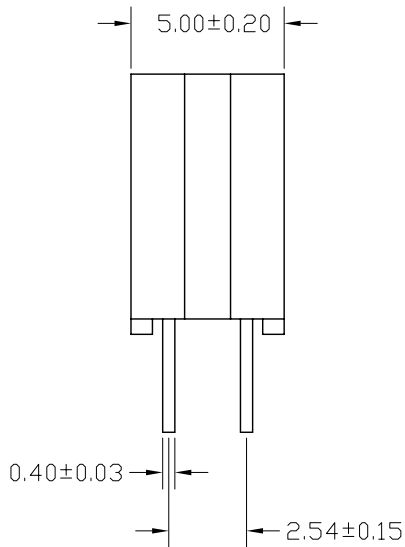
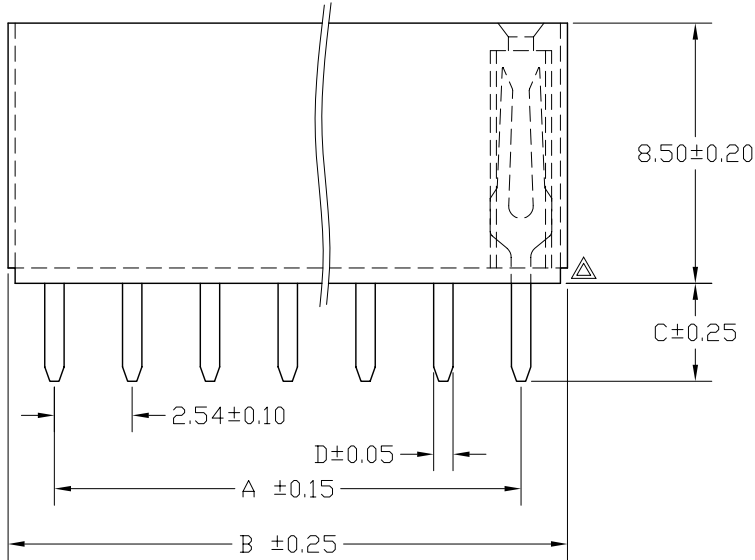
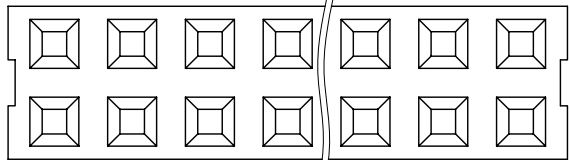
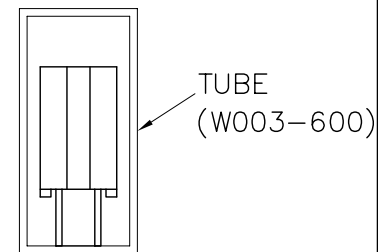
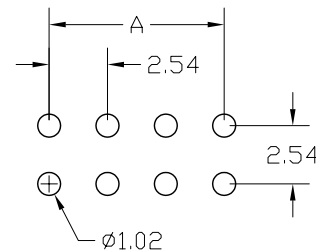
Definition	Code
◎ Tin plated: 200μ" 3H	A
◎ Gold plated:	
flash B 15μ" F	
10μ" E 30μ" J	
5μ" D	
◎ Duplex plating:	
flash K 15μ" P	
10μ" N 30μ" U	
◎ Standard: B	
◎ Prefix "V" means lead free plating.	

料號	C	D
032	3.20	0.64
047	4.70	0.76
060	6.00	0.76
110	11.00	0.76

SPECIFICATIONS

Current Rating: 3 Amps
 Insulator resistance: 5000 Megohms min.
 Contact resistance: 20 m ohms max.
 Dielectric withstanding: AC 1000 V
 Operating Temperature: -40°~+105°C
 Contact Material: Phosphor bronze
 Insulator Material: Thermoplastic, UL 94V-0
 Color: Black
 Finish: Tin, Gold or Duplex plated
 ◎ Standard: Gold flash all over
 ◎ Note: Duplex plating: gold plated on contact area, Tin on solder area

Recommended PCB Layout
 (PCB TOLERANCE ±0.05)



Rev.	ECN Number	Description	Drawn	Date
8	EC2-4A0539	新增電鍍碼	陳美竹	11/01 04'
9	ECR-570077	修正公差 2.54±0.05=>2.54±0.10	陳顯鑫	07/19 05'
10	ECR-570047	修改塑膠	陳美竹	07/21 05'



GENERAL TOLERANCE	
XX. ± 0.50	XXX. ±
X. ± 0.30	.XXX ±
.X ± 0.25	.X. ± 4°
.XX ± 0.20	.X. ± 4°

SCALE	1=1
UNIT	MM
SIZE	A4/X

ORIGINAL DRAWN	邱若婷	DATE	05-01-04'
CHECK	林錫錦	DATE	07/21 05'
APPROVE	林錫錦	DATE	07/21 05'

DWG. NO.	3-21	TITLE	2.54X2.54mm SOCKET (成品規格圖)
F:\DWG\CDWG\PHF\PHFZS00.DWG			
PARTS NO.	PHFZ-XXS-X-C-*-*		

REV.	10
SHEET	1/1