

PGFY-XXS-X-030

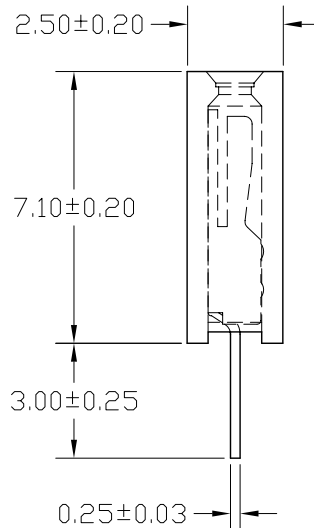
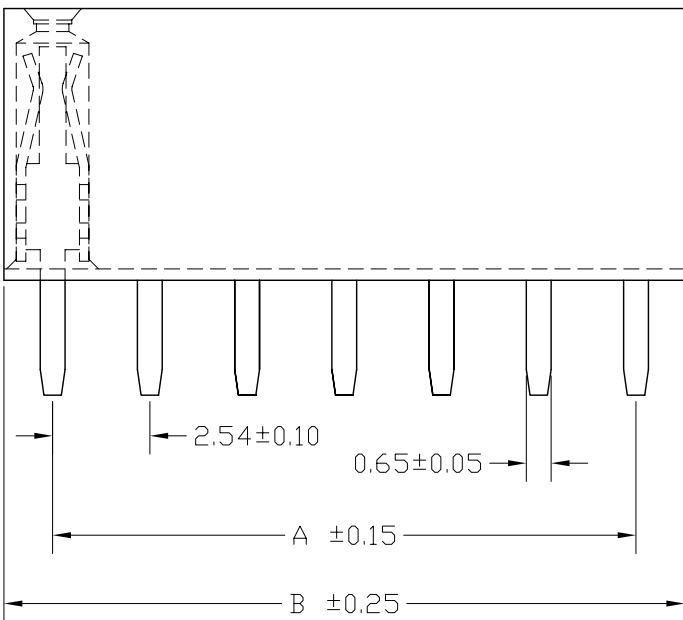
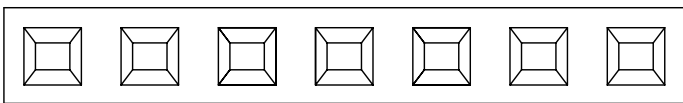
Number of Contacts — Straight — Contact Plating

SPECIFICATIONS

Current Rating: 3 Amps
 Insulator resistance: 5000 Megohms min.
 Contact resistance: 20 m ohms max.
 Dielectric withstanding: AC 1000 V
 Operating Temperature: -40°~+105°C
 Max Processing Temp: 230° for 30 seconds
 Contact Material: Phosphor bronze
 Insulator Material: Polyester, UL 94V-0
 ◎Standard: Nylon-6T
 Finish: Tin, Gold or Duplex plated
 ◎Standard: Gold flash all over
 ◎Note:
 Duplex plating: gold plated on contact area,
 Tin on solder area

Definition		Code	
◎ Tin plated:		A	
◎ Gold plated:			
flash	B	15μ"	F
10μ"	E	30μ"	J
◎Duplex plating:			
flash	K	15μ"	P
10μ"	N	30μ"	U
◎Standard: B			
◎Prefix "V" means lead free plating.			

No. of Contacts	DIMENSIONS		REMARK (備註)
	A	B	
2	2.54	5.24	○
3	5.08	7.78	○
4	7.62	10.32	○
5	10.16	12.86	○
6	12.70	15.40	○
7	15.24	17.94	○
8	17.78	20.48	○
9	20.32	23.02	○
10	22.86	25.56	○
11	25.40	28.10	○
12	27.94	30.64	○
13	30.48	33.18	○
14	33.02	35.72	○
15	35.56	38.26	○
16	38.10	40.80	○
17	40.64	43.34	○
18	43.18	45.88	○
19	45.72	48.42	○
20	48.26	50.96	○
21	50.80	53.50	○
22	53.34	56.04	○
23	55.88	58.58	○
24	58.42	61.12	○
25	60.96	63.66	○
26	63.50	66.20	○
27	66.04	68.74	○
28	68.58	71.28	○
29	71.12	73.82	○
30	73.66	76.36	○
31	76.20	78.90	○
32	78.74	81.44	○
33	81.28	83.98	○
34	83.82	86.52	○
35	86.36	89.06	○
36	88.90	91.60	○
37	91.44	94.14	○
38	93.98	96.68	○
39	96.52	99.22	○
40	99.06	101.76	○



Recommended PCB Layout (PCB TOLERANCE ±0.05)

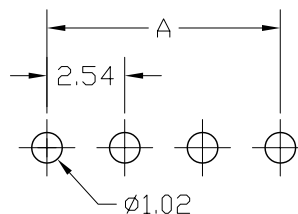


Diagram	Molding description
○	mass production & assemble mold
◎	sample & assemble mold
⊕	mass production & fix mold
⊕	sample & fix mold

Rev.	ECN Number	Description	Drawn	Date
2	EC2-480035	新增電鍍碼選項	洪銀雯	08/04/04'
3	EC2-520502	新增 02PIN	陳美竹	02/24 05'
4	ECR-560028	修正DIM B	陳顯鑫	06/07 05'



GENERAL TOLERANCE		SCALE	5=1	ORIGINAL DRAWN	林秋蘭	DATE	13-04-01'	DWG. NO. X-XX F: \DWG\CDWG\PGF\PGFYS0B.DWG	TITLE 2.54x2.54mm Female Header (成品規格圖)	REV.	4		
XX. ± 0.50	XXX. ±	UNIT	MM	CHECK	林錫錦	DATE	06/07 05'			PARTS NO.	PGFY-XXS-X-030	SHEET	1/1
X. ± 0.30	.XXX ±	SIZE	A4	APPROVE	林錫錦	DATE	06/07 05'						
.X ± 0.25	X.° ± 4°												
.XX ± 0.20	.X° ± 4°												