

No. of Contacts	DIMENSIONS		REMARK (備註)
	A	B	
4	2.54	5.58	○
6	5.08	8.12	○
8	7.62	10.66	○
10	10.16	13.20	○
12	12.70	15.74	○
14	15.24	18.28	○
16	17.78	20.82	○
18	20.32	23.36	○
20	22.86	25.90	○
22	25.40	28.44	○
24	27.94	30.98	○
26	30.48	33.52	○
28	33.02	36.06	○
30	35.56	38.60	○
32	38.10	41.14	○
34	40.64	43.68	○
36	43.18	46.22	○
38	45.72	48.76	○
40	48.26	51.30	○
42	50.80	53.84	○
44	53.34	56.38	○
46	55.88	58.92	○
48	58.42	61.46	○
50	60.96	64.00	○
52	63.50	66.54	○
54	66.04	69.08	○
56	68.58	71.62	○
58	71.12	74.16	○
60	73.66	76.70	○
62	76.20	79.24	○
64	78.74	81.78	○
66	81.28	84.32	○
68	83.82	86.86	○
70	86.36	89.40	○
72	88.90	91.94	○
74	91.44	94.48	○
76	93.98	97.02	○
78	96.52	99.56	○
80	99.06	102.10	○

PBFF-XX-X-030-\*

Number of Contacts

Contact Plating			
Definition	Code		
◎ Tin plated:	A		
◎ Gold plated:			
flash	B	15μ"	F
10μ"	E	30μ"	J
◎ Duplex plating:			
flash	K	15μ"	P
10μ"	N	30μ"	U
◎ Standard:	B		
◎ Prefix 'V' means lead free plating.			

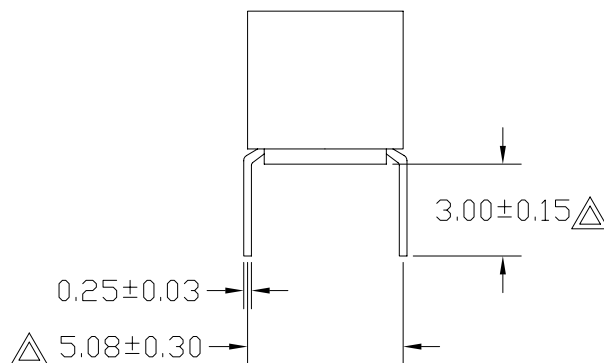
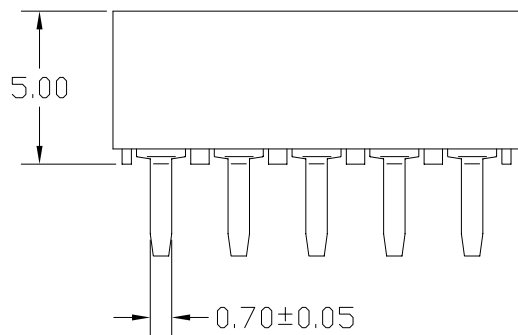
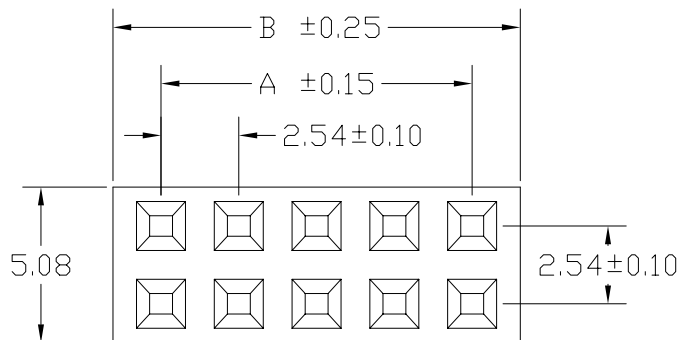
NULL:PBT  
F:NYLON-6T

SPECIFICATIONS

Current Rating: 3 Amps  
 Insulator resistance: 5000 Megohms Min.  
 Contact resistance: 20 m ohm Max.  
 Dielectric withstanding: AC 500 V  
 Operating Temperature: -40° - +105°C  
 Contact Material: Phosper Bronze  
 Insulator Material: High Temperature Thermoplastic,UL 94V-0  
 Color : Black

◎ Note:

Duplex plating: gold plated on contact area,  
Tin on solder area



Recommended PCB Layout  
(PCB TOLERANCE ±0.05)

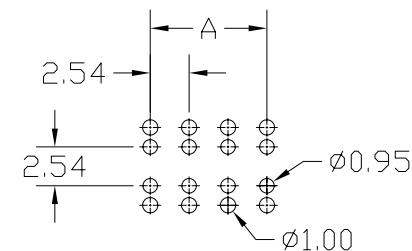


Diagram	Molding description	Rev.	ECN Number	Description	Drawn	Date
○	mass production & assemble mold	3	EC2-4C0748	圖面新增塑膠材質選項	陳顯鑫	01/04 05'
◎	sample & assemble mold	4	EC2-510426	圖面新增 4PIN	陳顯鑫	01/27 05'
⊕	mass production & fix mold	5	ECR-570073	修改圖面尺寸公插	洪博禎	07/15 05'
⊕	sample & fix mold					



GENERAL TOLERANCE	
XX. ± 0.50	XXX. ±
X. ± 0.30	.XXX ±
.X ± 0.25	X.° ± 4°
.XX ± 0.20	.X° ± 4°

SCALE	4=1
UNIT	MM
SIZE	A4

ORIGINAL DRAWN	林秋蘭	DATE	03/20 02'
CHECK	江坤容	DATE	01/27 05'
APPROVE	林錫錦	DATE	01/27 05'

DWG. NO.	X-XX
PARTS NO.	PBFF-XX-X-030-*

TITLE	2.54X2.54mm SOCKET DUAL ENTRY (成品規格圖)
-------	------------------------------------------------

REV.	5
SHEET	1/1