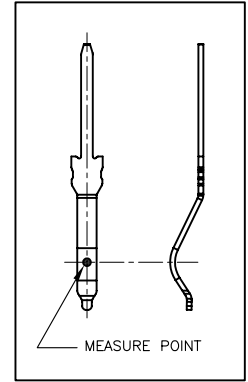
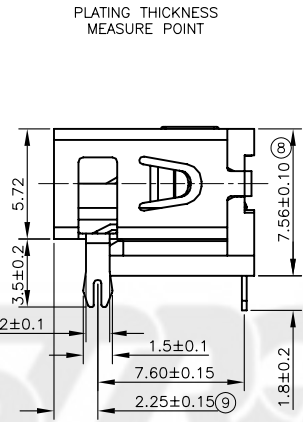
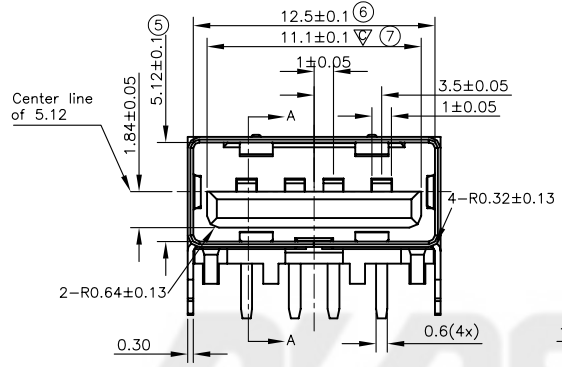
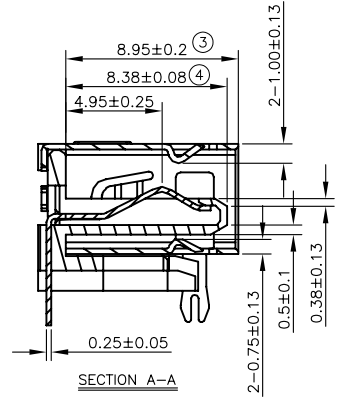
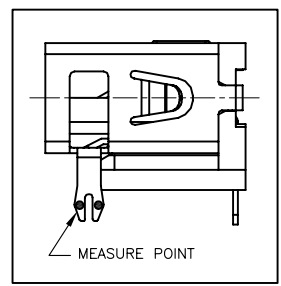
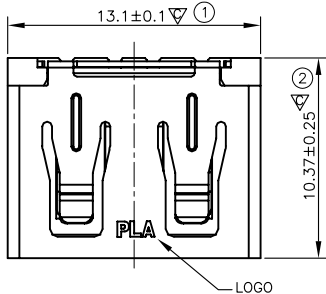
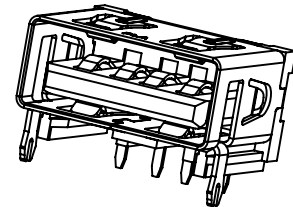
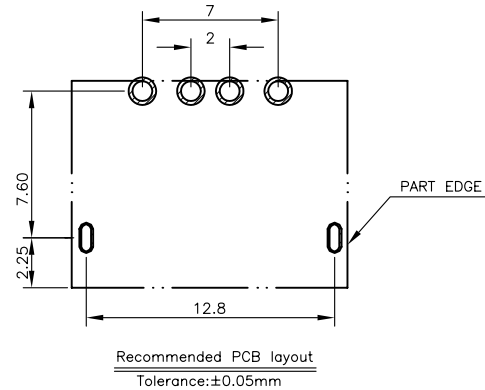
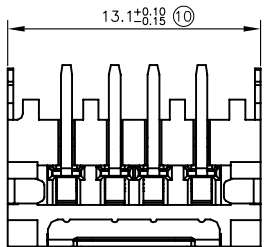
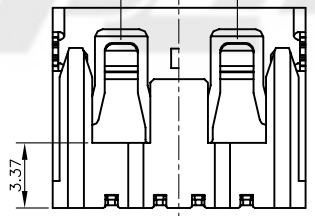


REV.	ECN NO.	DESCRIPTION	DRAWN
1	CH13080064	FIRST ISSUE	Ian Lui_08/08'13



PLATING THICKNESS MEASURE POINT



Recommended PCB layout  
Tolerance:±0.05mm

- NOTES:
- MATERIALS:**  
Housing: PBT, color:black, UL94V-0, HF  
Contact: phosphor bronze  
Shell: SUS304, T=0.30mm
  - FINISH:**  
Contact: Gold 30U" on contact point, Tin 150u" on solder tail. Ni 50U" min underplated over all.  
Shell: Ni 30U" min.  
And the measure point of plating thickness, please see the geometric view
  - THE REQUEST FROM CUSTOMER:**  
Durability: 5000 Cycles, and after durability test, the insertion force:35N max. the withdrawal force:10N min. and 30N max.  
  
Salt spray: Per IEC-68-2-52, severity 3, No noticeable corrosion, pitting, blistering, chalking, cracking, flaking, mottling, swelling. No electrical/physical damage.
  - ELECTRICAL CHARACTER:**  
Contact resistance: 30m ohms  
Insulation resistance: 1000M ohms  
Dielectric withstanding voltage: 500V AC  
Current rating: 1.5A
  - ▽ means SPC control item, (1)(2)(3).....is the critical dimension which should be check by QC.
  - HARMFUL SUBSTANCE SHOULD BE COMPLIANT TO DOC "EI-0005" STANDARD
  - DIMENSION SHALL BE INTERPRETED PER ANSI Y14.5M-1994.
  - ORDER INFORMATION:

KA04-R-04-T-U-16-HT

Plating code:  
U: 30u" GOLD on contact point,  
Tin plating on solder area



GENERAL TOLERANCE		SCALE	N/A	ORIGINAL DRAWN	DATE	DWG. NO.	TITLE	REV.
XX. ±	XXX. ±			Chen Lin	05/29'13	600-0000-1282	CUSTOMER DRAWING	1
X. ± 0.30	.XXX ±	UNIT	MM	Ian Lui	05/29'13	PARTS NO.(INTENDED USE)		SHEET
.X ± 0.25	.X' ± 3°	SIZE	A4	WangKe He	05/29'13	KA04-R-04-T-U-16-HT		1/3
.XX ± 0.15	.X' ± 2°							