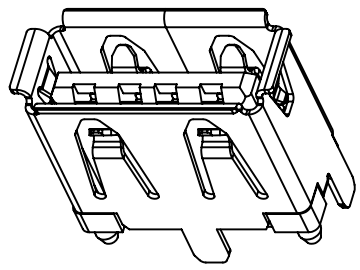
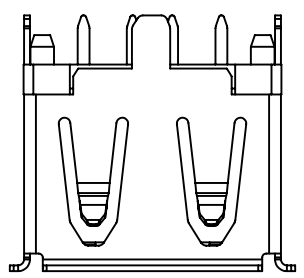
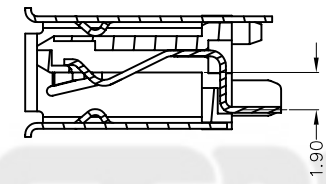
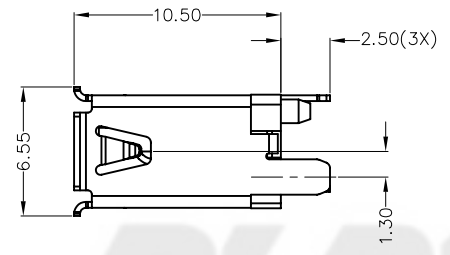
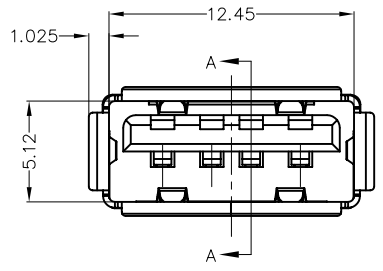


Rev.	ECN Number	Description	Drawn
1	CH12030493	初版發行	張麗鳴_03/30'12



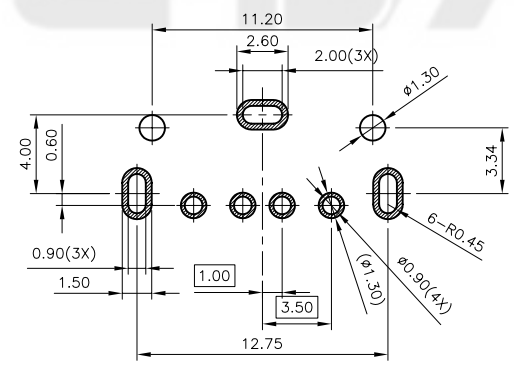
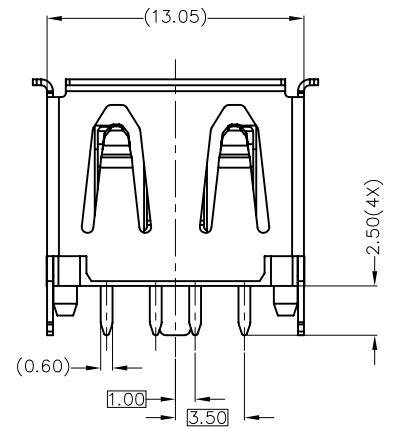
- NOTES: (UNLESS OTHERWISE SPECIFIED)
1. DIMENSION SHALL BE INTERPRETED PER ANSI Y14.5M-1994
 2. FEATURES:
HOUSING: LCP ,UL94V-0,COLOR: BLACK
CONTACT: BRASS ,T=0.30±0.05mm,
SHELL: SEEL,T=0.30±0.05mm.
 3. TOTAL MATING FORCE: 35N Max.
 4. TOTAL UNMATING FORCE: Initial to 3000 cycles: 10N min.
 5. DURABILITY: 3000 MATING CYCLES Min.
 6. VOLTAGE RATING: 30V AC.
 7. CURRENT RATING: 1.5 AMPERE.
 8. CONTACT RESISTANCE: 30 mohms MAX. FOR INITIAL.
 9. DIELECTRIC WITHSTANDING VOLTAGE: 500V AC/MINUTE.
 10. INSULATION RESISTANCE: 1000 Megohms MIN..
 11. TEMPERATURE RANGE: 0°~50°
 12. HARMFUL MATERIAL SHOULD BE COMPLIANT TO DOC. "EI-0005" STANDARDS.
 13. PART NUMBER: KA04- R -04 - T - U - 13- R



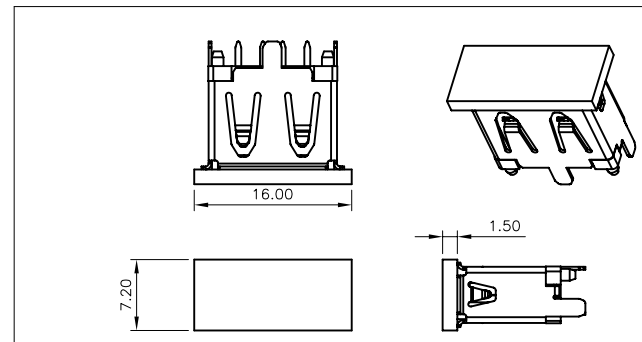
P: PLUG
R: RECEIPTABLE
NO. OF CONTACTS
T: Through Hole
R: PAD+REEL

PLATING CODE
K: GOLD FLASH PLATING ON CONTACT AREA
Matte Tin PLATING ON SOLDER AREA
P: 15u" GOLD PLATING ON CONTACT AREA
Matte Tin PLATING ON SOLDER AREA
U: 30u" GOLD PLATING ON CONTACT AREA
Matte Tin PLATING ON SOLDER AREA

SECTION A-A



RECOMMENDED P.C.B LAYOUT
PCB THICKNESS=1.60MM
(DEFAULT TOLERANCE±0.05MM)



ADD CAP DRAWING



GENERAL TOLERANCE		SCALE	ORIGINAL DRAWN	DATE	DWG. NO.	TITLE	REV.
XX. ±	XXX. ±	1:1	張麗鳴	03/30'12	600-0000-1131	CUSTOMER DRAWING	1
X. ± 0.30	.XXX ±	UNIT	龔超	03/30'12			PARTS NO.(INTENDED USE)
.X ± 0.25	X.* ± 3°	MM	Liss.xiang	03/30'12	KA04-R-04-T-U-13-R		1/3
.XX ± 0.20	.X.* ± 2°	SIZE					